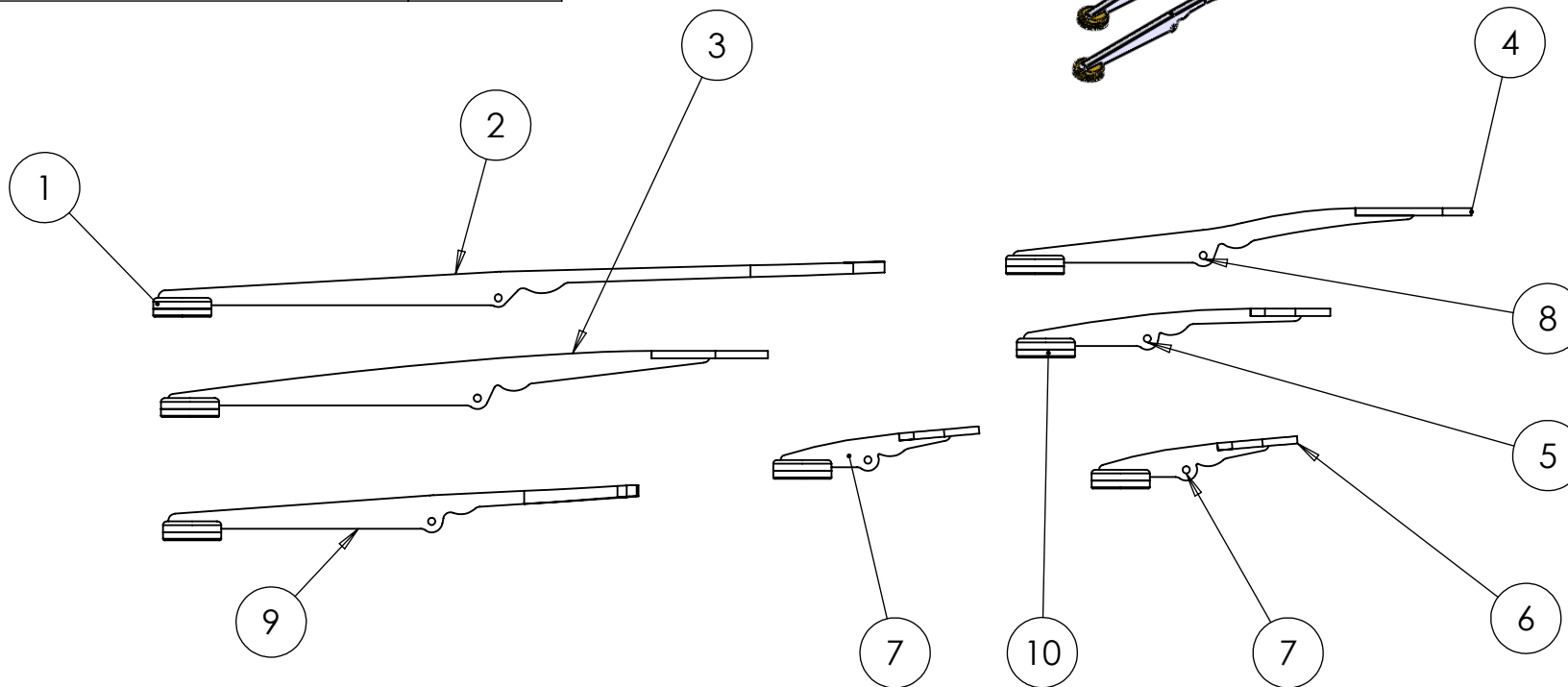
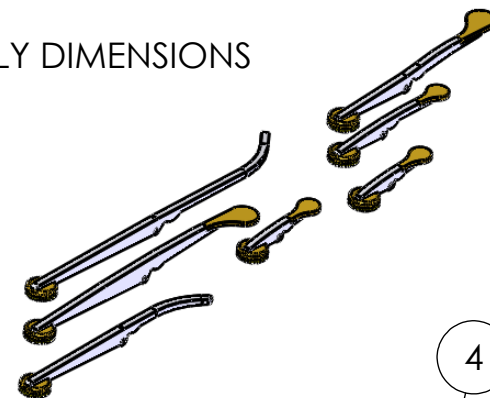


ITEM NO.	PART NUMBER	Qty
1	SP-DP-043	7
2	bottom d key shaft	1
3	bottom E key shaft	1
4	a&e touch piece	2
5	bottom F# key shaft	1
6	c# touch piece	3
7	d# key shaft	2
8	top a key shaft	1
9	top b key shaft	1
10	pisoni pad PY08	7

NOTE
SEE SHEET 2 FOR ASSEMBLY DIMENSIONS



© Machine Concept Ltd

6 Fieldview, Bar Hill
Cambridge, CB23 8SX.
United Kingdom
Tel: +44 (0) 1954 780772
mike@machineconcepts.co.uk

All dimensions are in mm
unless otherwise stated.

No dec pl : ± 0.5mm
1 dec pl : ± 0.2mm
2 dec pl : ± 0.1mm
3 dec pl : ± 0.05mm
angular : ± 0.2°

DO NOT SCALE



Drg By.
Mike Nelson

Material.

SEE PARTS

Finish.

SEE PARTS

Chk'd By.
MRN

Approved - date

Model Name
SP-SA-024

Date.
24/12/2017

Scale
1:1

Title.

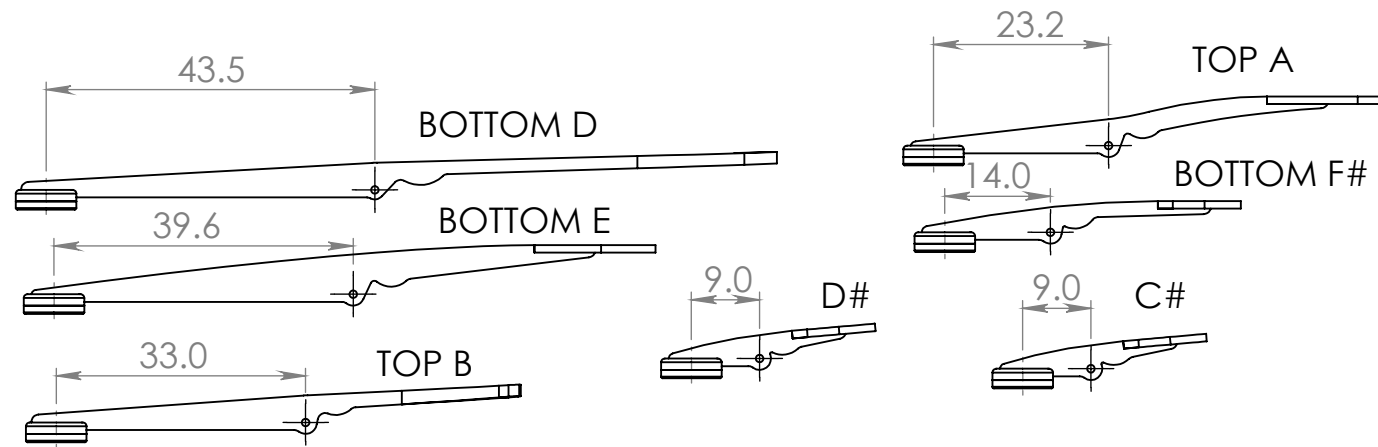
SCHOOLPIPE KEY SET (7 key)

Drg No.

SP-SA-024

Sheet number.

A4 1 of 2



© Machine Concept Ltd

6 Fieldview, Bar Hill
 Cambridge, CB23 8SX.
 United Kingdom
 Tel: +44 (0) 1954 780772
 mike@machineconcepts.co.uk

All dimensions are in mm
 unless otherwise stated.

No dec pl : ± 0.5mm
 1 dec pl : ± 0.2mm
 2 dec pl : ± 0.1mm
 3 dec pl : ± 0.05mm
 angular : ± 0.2°

DO NOT SCALE



Drg By: Mike Nelson
 Chk'd By: MRN

Approved - date

Model Name
 SP-SA-024

Date.
 24/12/2017

Scale
 1:1

Material.
 SEE PARTS

Title.
SCHOOLPIPE KEY SET (7 key)

Finish.
 SEE PARTS

Drg No.
SP-SA-024

Sheet number.
 A4 2 of 2