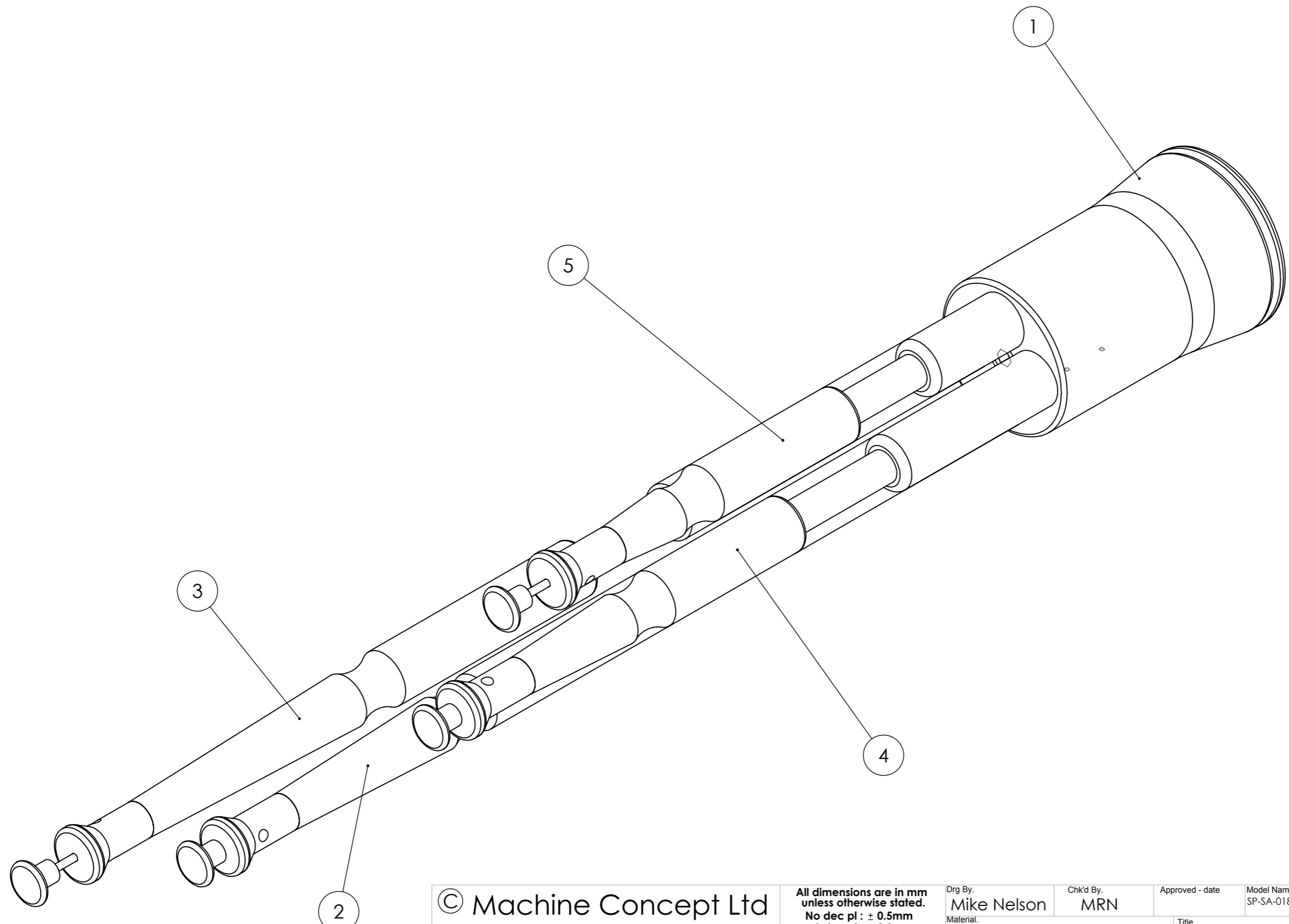


ITEM NO.	PART NUMBER	QTY.
1	SP-SA-022	1
2	SP-SA-006	1
3	SP-SA-003	1
4	SP-SA-014	1
5	SP-SA-021	1



© Machine Concept Ltd
 6 Fieldview, Bar Hill
 Cambridge, CB23 8SX.
 United Kingdom
 Tel: +44 (0) 1954 780772
 mike@machineconcepts.co.uk

All dimensions are in mm
 unless otherwise stated.
 No dec pl : ± 0.5mm
 1 dec pl : ± 0.2mm
 2 dec pl : ± 0.1mm
 3 dec pl : ± 0.05mm
 angular : ± 0.2°
DO NOT SCALE



Drg By.
Mike Nelson

Chk'd By.
MRN

Approved - date

Model Name
SP-SA-018

Date.
04/04/2013

Scale
1:1

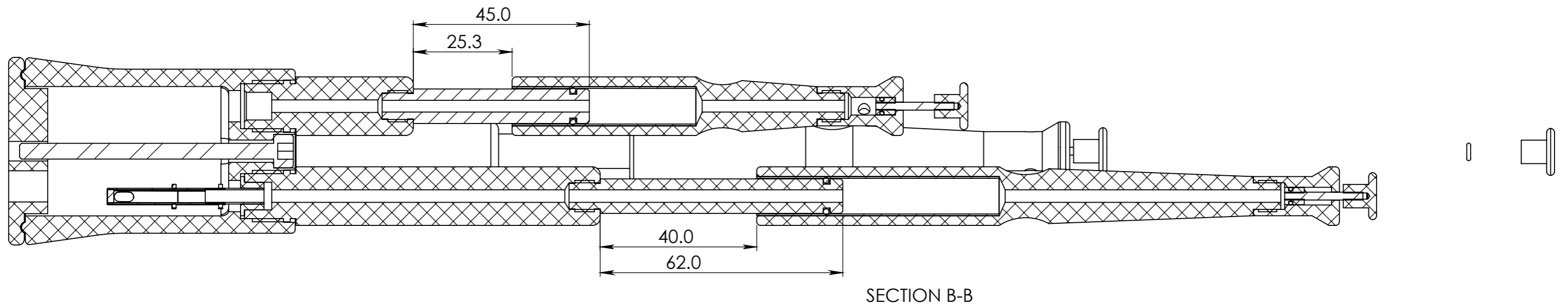
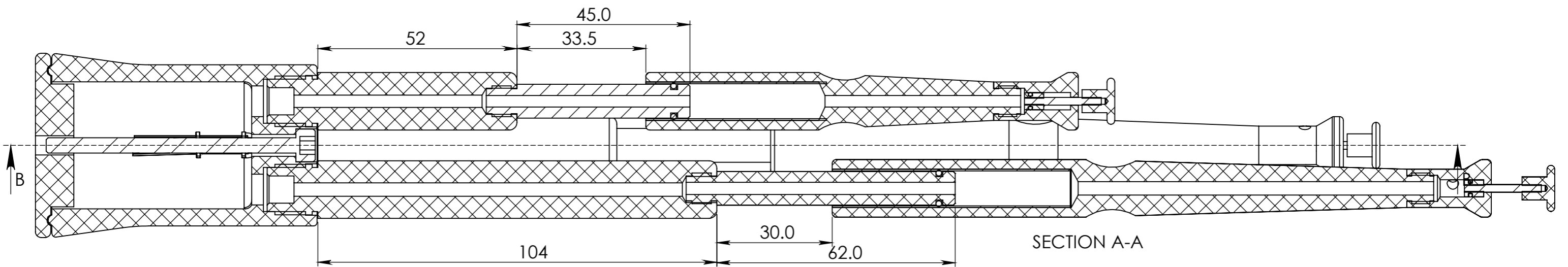
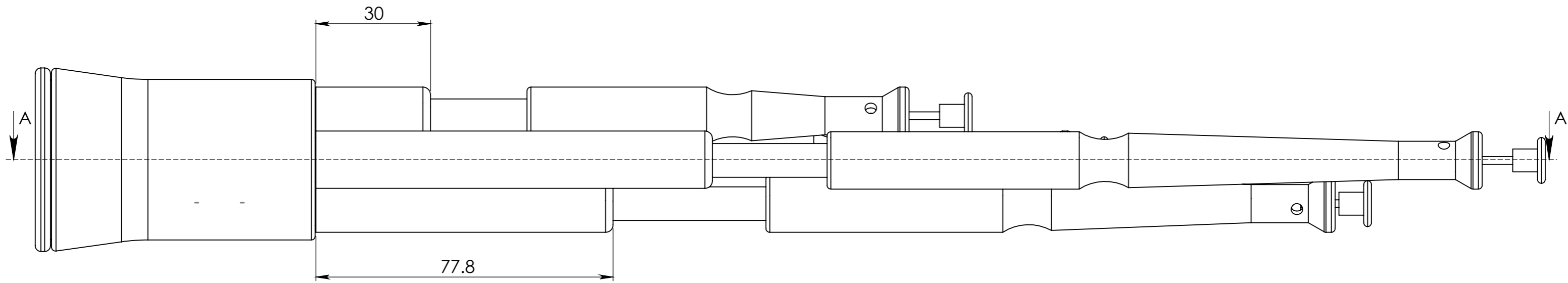
Material.
SEE PARTS

Title.
CONCERT G 4 DRONE ASSEMBLY

Finish.
SEE PARTS

Drg No.
SP-SA-018

Sheet number.
A3
1 of 2



4 DRONE CONCERT G ASSEMBLY
MRN AUGUST 2016