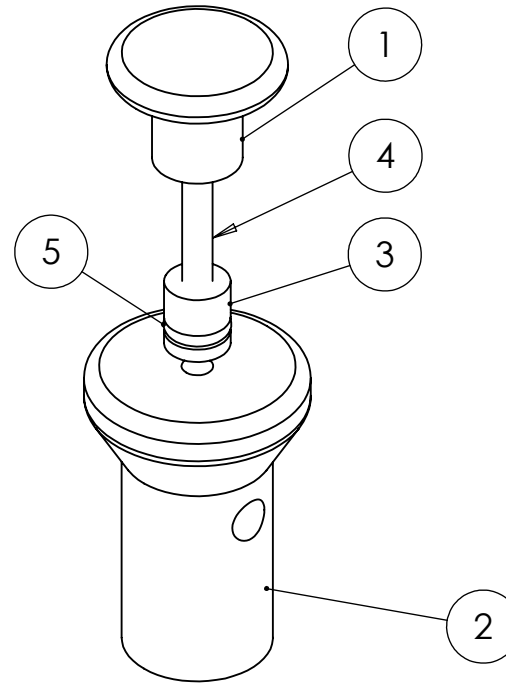
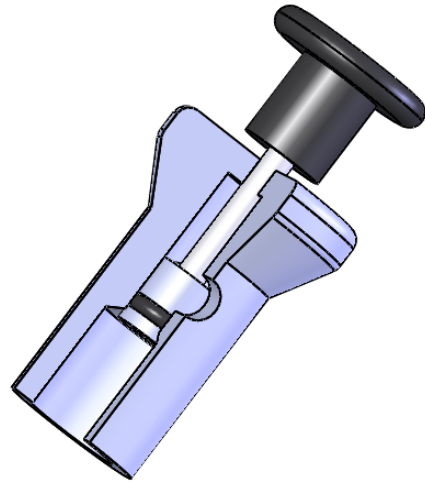


1	2	3
PART NUMBER	ITEM NO.	Qty
SP-DP-037	1	1
SP-DP-040	2	1
SP-DP-041	3	1
SP-DP-042	4	1
oring 4.5 od x 1 mm section	5	1

4	5	6	7
REVISIONS			
REV.	DESCRIPTION	DATE	APPROVED
A	INITIAL ISSUE	20/12/2017	



© Machine Concept Ltd
 6 Fieldview, Bar Hill
 Cambridge, CB23 8SX.
 United Kingdom
 Tel: +44 (0) 1954 780772
 mike@machineconcepts.co.uk

All dimensions are in mm
 unless otherwise stated.
 No dec pl : ± 0.5mm
 1 dec pl : ± 0.2mm
 2 dec pl : ± 0.1mm
 3 dec pl : ± 0.05mm
 angular : ± 0.2°
DO NOT SCALE



Drg By. Mike Nelson	Chk'd By. MRN	Approved - date	Model Name SP-SA-017	Date. 05/04/2013	Scale 2:1
Material. SEE PARTS		Title. CONCENTRIC DRONE VALVE ASSEMBLY			
Finish. SEE PARTS		Drg No. SP-SA-017	Sheet number. A4 1 of 1		