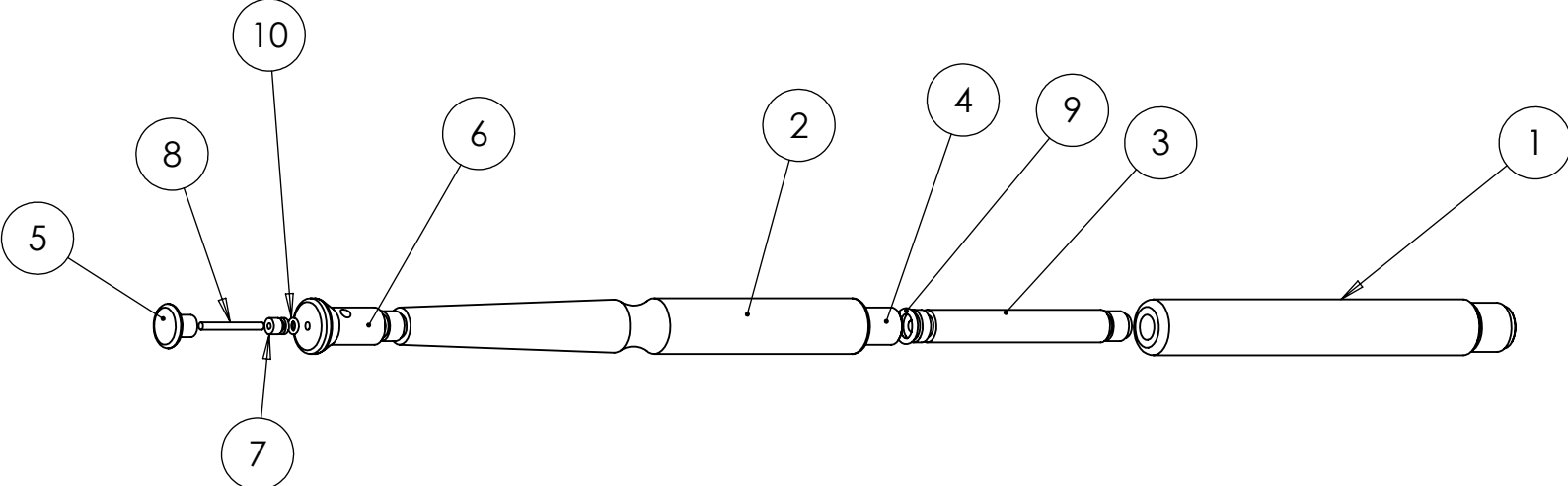


ITEM NO.	PART NUMBER	Qty
1	SP-DP-004	1
2	SP-DP-009	1
3	SP-DP-012	1
4	SP-DP-013	1
5	SP-DP-037	1
6	SP-DP-040	1
7	SP-DP-041	1
8	SP-DP-042	1
9	6mm x 1.5mm ORING	1
10	oring 4.5 od x 1mm section	1

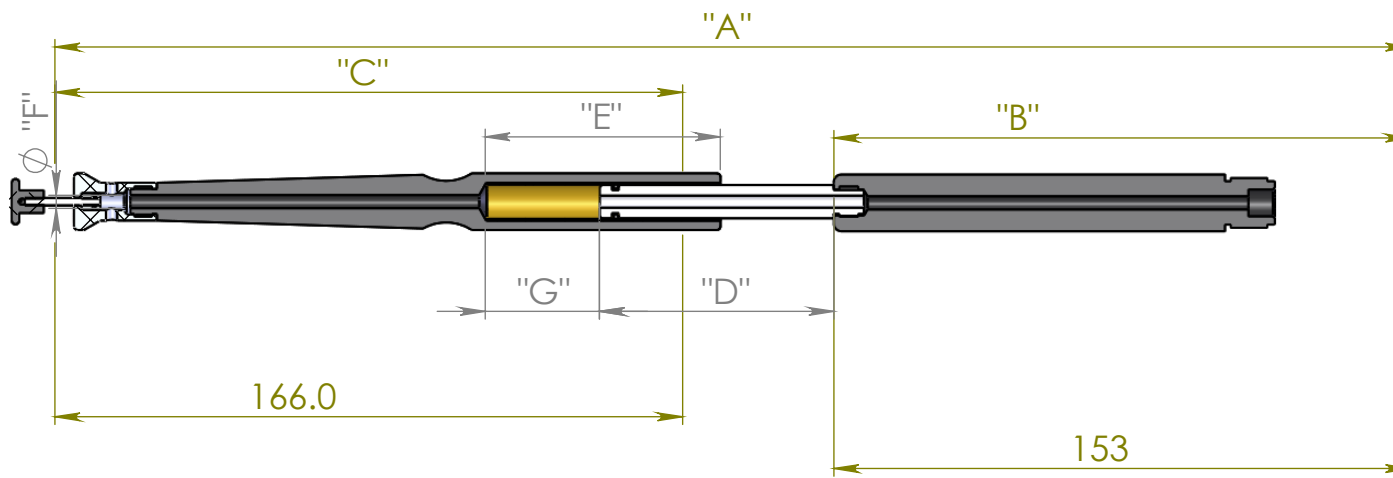


© Machine Concept Ltd
 6 Fieldview, Bar Hill
 Cambridge, CB23 8SX.
 United Kingdom
 Tel: +44 (0) 1954 780772
 mike@machineconcepts.co.uk

All dimensions are in mm
 unless otherwise stated.
 No dec pl : ± 0.5mm
 1 dec pl : ± 0.2mm
 2 dec pl : ± 0.1mm
 3 dec pl : ± 0.05mm
 angular : ± 0.2°
DO NOT SCALE



Drg By. Mike Nelson	Chk'd By. MRN	Approved - date	Model Name SP-SA-003	Date. 06/09/2011	Scale 1:2
Material. SEE PARTS		Title. BIG D DRONE ASSEMBLY			
Finish. SEE PARTS		Drg No. SP-SA-003	Sheet number. A4 1 of 2		



© Machine Concept Ltd

6 Fieldview, Bar Hill
 Cambridge, CB23 8SX.
 United Kingdom
 Tel: +44 (0) 1954 780772
 mike@machineconcepts.co.uk

All dimensions are in mm
 unless otherwise stated.

No dec pl : ± 0.5mm
 1 dec pl : ± 0.2mm
 2 dec pl : ± 0.1mm
 3 dec pl : ± 0.05mm
 angular : ± 0.2°

DO NOT SCALE



3rd Angle

Drg By. Mike Nelson
 Chk'd By. MRN

Material.
 SEE PARTS

Finish.
 SEE PARTS

Approved - date

Model Name
 SP-SA-003

Date.
 06/09/2011

Scale
 1:2

Title.
BIG D DRONE ASSEMBLY

Drg No.
SP-SA-003

Sheet number.
 A4 2 of 2