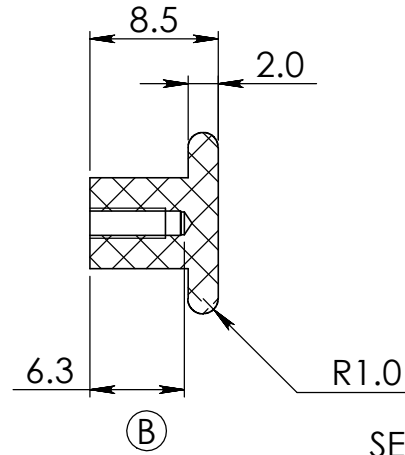
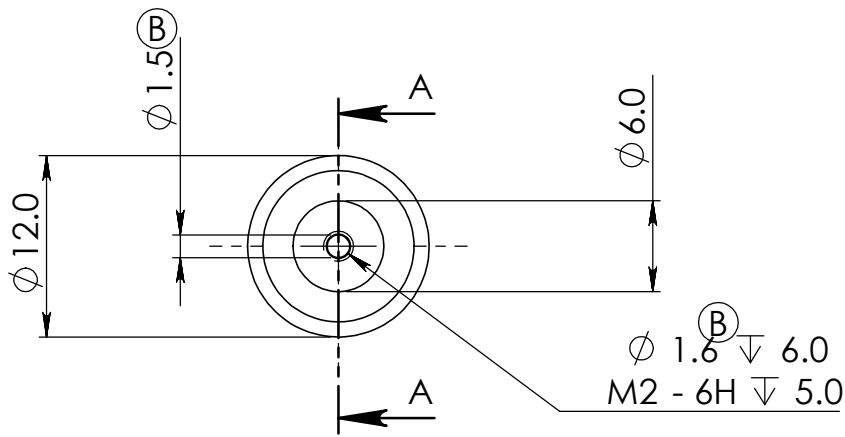


REVISIONS			
REV.	DESCRIPTION	DATE	APPROVED
A	INITIAL ISSUE FOR USE IN 3 DRONE SET	20/12/2017	
B	REVISED FOR USE IN 4 DRONE SET	20/12/2017	



SECTION A-A

NOTE

1. THERE IS AN EXISTING STOCK OF THESE ITEMS AND THEY MAY BE REUSED FOR THE 4 DRONE SETS.
2. THE $\phi 1.5 \times 6.8$ DEEP HOLE IS USED FOR THE 3 DRONE VERSION.
3. FOR THE 4 DRONE VERSION THE $\phi 1.5$ HOLE IS TAPPED M2 x 5mm DEEP

REMOVE ALL BURRS AND SHARP EDGES

© Machine Concept Ltd 6 Fieldview, Bar Hill Cambridge, CB23 8SX. United Kingdom Tel: +44 (0) 1954 780772 mike@machineconcepts.co.uk	All dimensions are in mm unless otherwise stated. No dec pl : $\pm 0.5\text{mm}$ 1 dec pl : $\pm 0.2\text{mm}$ 2 dec pl : $\pm 0.1\text{mm}$ 3 dec pl : $\pm 0.05\text{mm}$ angular : $\pm 0.2^\circ$ DO NOT SCALE	Drg By. Mike Nelson Chk'd By. MRN Material. BLACK ACETAL Finish. CLEAN AND SMOOTH	Approved - date Date. 14/09/2011 Model Name SP-DP-037 Title. DRONE VALVE KNOB Drg No. SP-DP-037	Scale 2:1 Sheet number. A4 1 of 1