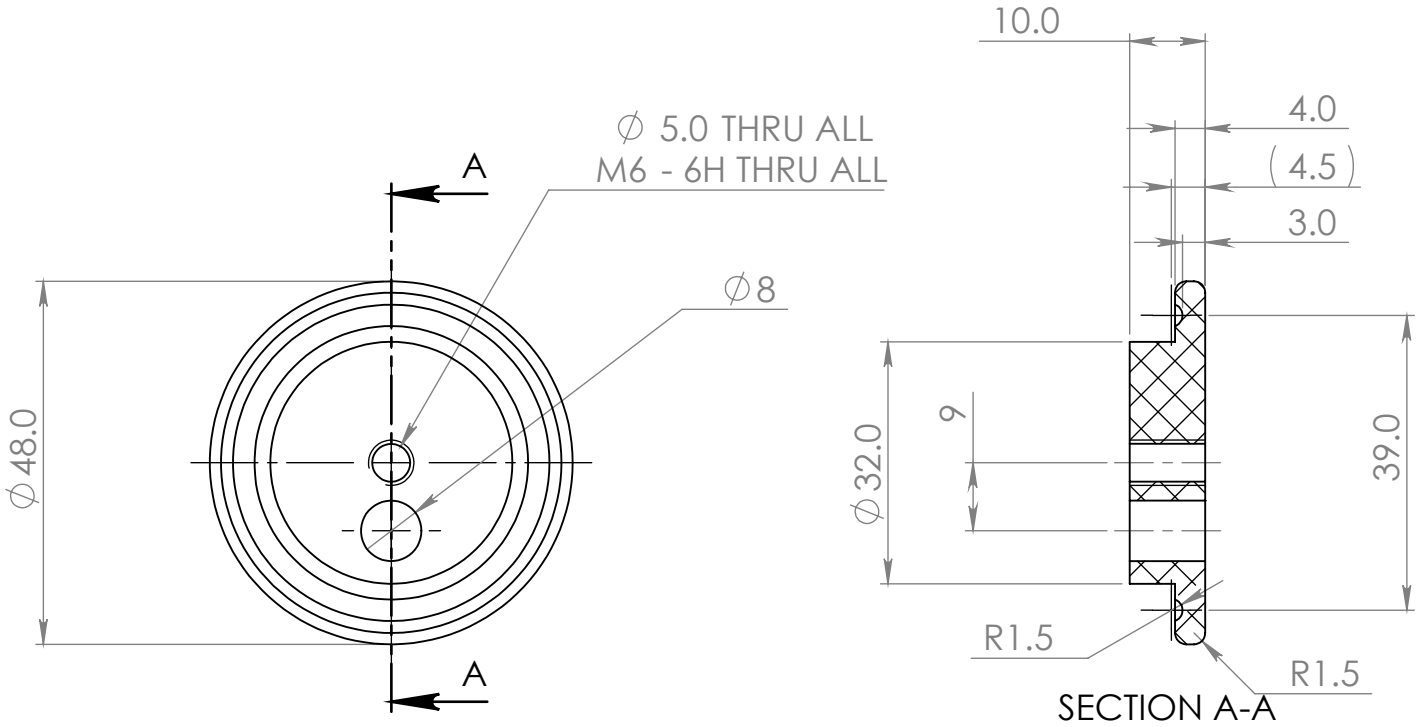


REVISIONS			
REV.	DESCRIPTION	DATE	APPROVED
A	2018 RE-ISSUE	23/12/2017	



REMOVE ALL BURRS AND SHARP EDGES

<p>© Machine Concept Ltd          6 Fieldview, Bar Hill          Cambridge, CB23 8SX.          United Kingdom          Tel: +44 (0) 1954 780772          mike@machineconcepts.co.uk</p>	<p>All dimensions are in mm unless otherwise stated.          No dec pl : ± 0.5mm          1 dec pl : ± 0.2mm          2 dec pl : ± 0.1mm          3 dec pl : ± 0.05mm          angular : ± 0.2°  <b>DO NOT SCALE</b></p>	Drg By. Mike Nelson	Chk'd By. MRN	Approved - date	Model Name SP-DP-029	Date. 14/09/2011	Scale 1:1	
		Material. BLACK ACETAL		Title. <b>DRONE STOCK CLAMP RING</b>				
		Finish. CLEAN AND SMOOTH		Drg No. <b>SP-DP-029</b>		Sheet number. A4 1 of 1		

