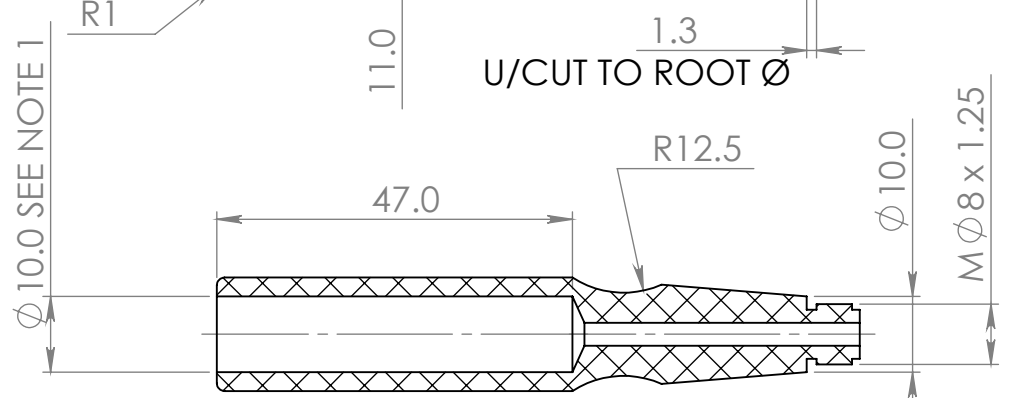
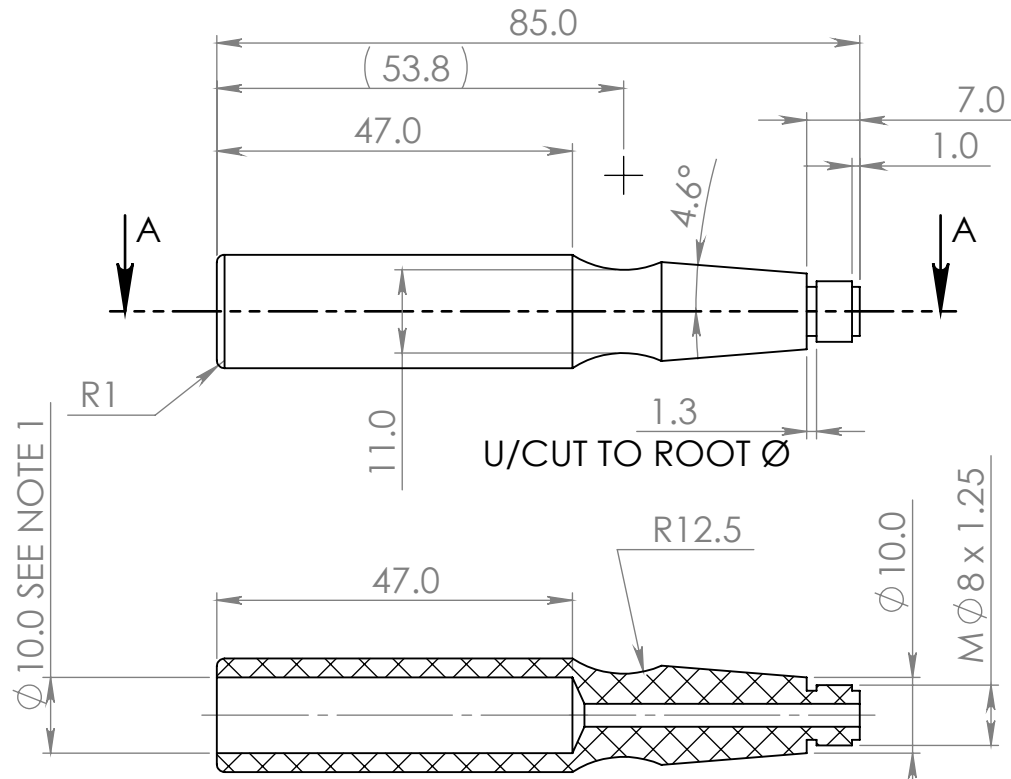
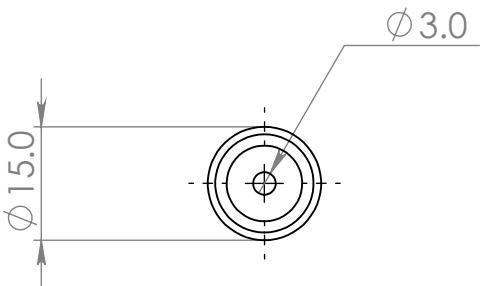


| REVISIONS | | | |
|-----------|---------------|------------|----------|
| REV. | DESCRIPTION | DATE | APPROVED |
| A | 2018 RE-ISSUE | 22/12/2017 | |



SECTION A-A

NOTES

- THIS BORE MUST BE A FIRMPRESS FIT5 ON THE BRASS LINING TUBE ITEM No SP-DP-013

REMOVE ALL BURRS AND SHARP EDGES

| | | | | | | | | |
|--|---|-----------------------------|------------------|--|-------------------------|---------------------|----------------------------|--|
| <p>© Machine Concept Ltd 6 Fieldview, Bar Hill Cambridge, CB23 8SX. United Kingdom Tel: +44 (0) 1954 780772 mike@machineconcepts.co.uk</p> | <p>All dimensions are in mm unless otherwise stated. No dec pl : ± 0.5mm 1 dec pl : ± 0.2mm 2 dec pl : ± 0.1mm 3 dec pl : ± 0.05mm angular : ± 0.2° DO NOT SCALE</p> | Drg By. Mike Nelson | Chk'd By. MRN | Approved - date | Model Name SP-DP-014 | Date. 13/09/2011 | Scale 1:1 | |
| | | Material. BLACK ACETAL | | Title. SMALL g SLIDING PART BODY | | | | |
| | | Finish. CLEAN AND SMOOTH | | Drg No. SP-DP-014 | | | Sheet number. A4 1 of 1 | |

