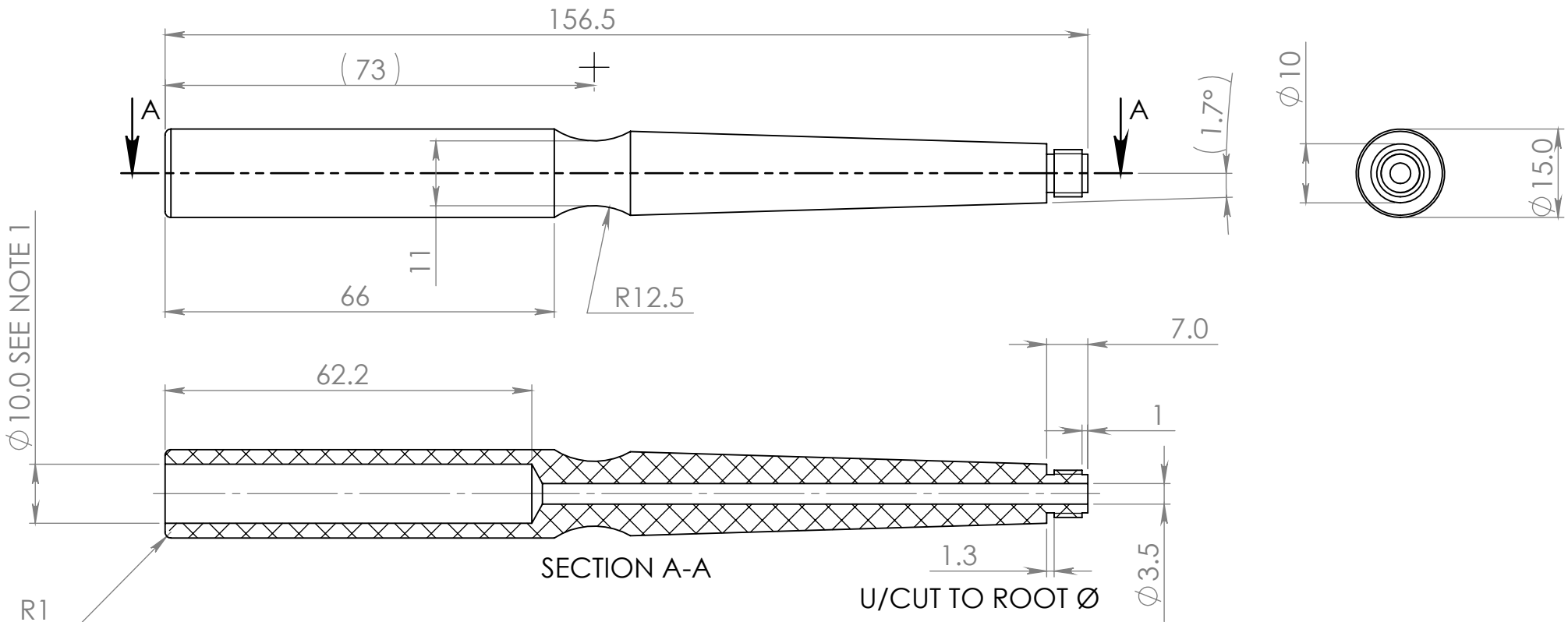


REVISIONS			
REV.	DESCRIPTION	DATE	APPROVED
B	2018 UPDATED VERSION	21/12/2017	



NOTES
 1. THIS BORE MUST BE A FIRMPRESS FIT5 ON THE BRASS LINING TUBE ITEM No SP-DP-013

REMOVE ALL BURRS AND SHARP EDGES

© Machine Concept Ltd 6 Fieldview, Bar Hill Cambridge, CB23 8SX. United Kingdom Tel: +44 (0) 1954 780772 mike@machineconcepts.co.uk	All dimensions are in mm unless otherwise stated. No dec pl : ± 0.5mm 1 dec pl : ± 0.2mm 2 dec pl : ± 0.1mm 3 dec pl : ± 0.05mm angular : ± 0.2° DO NOT SCALE	Drg By: Mike Nelson Chk'd By: MRN	Approved - date	Model Name: SP-DP-009	Date: 14/09/2011	Scale: 1:1
	Material: BLACK ACETAL	BIG D SLIDING PART BODY				
	Finish: CLEAN AND SMOOTH	Drg No: SP-DP-009	Sheet number: A4 1 of 1			

