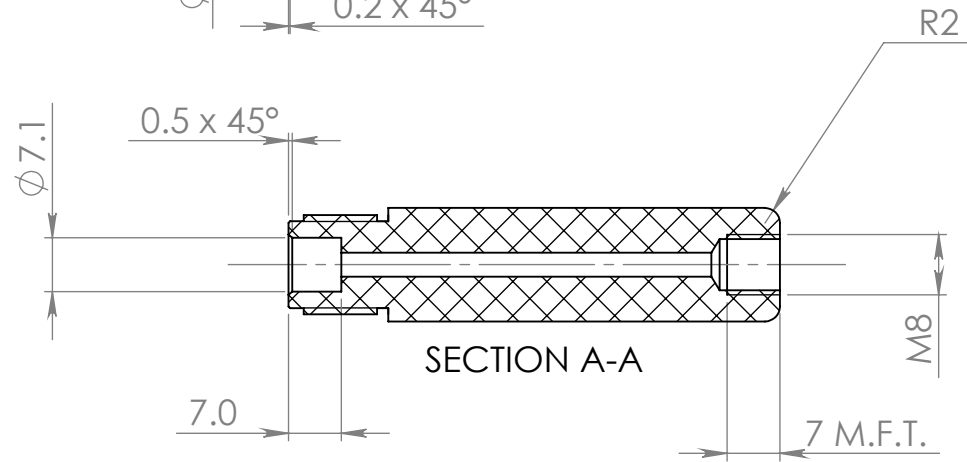
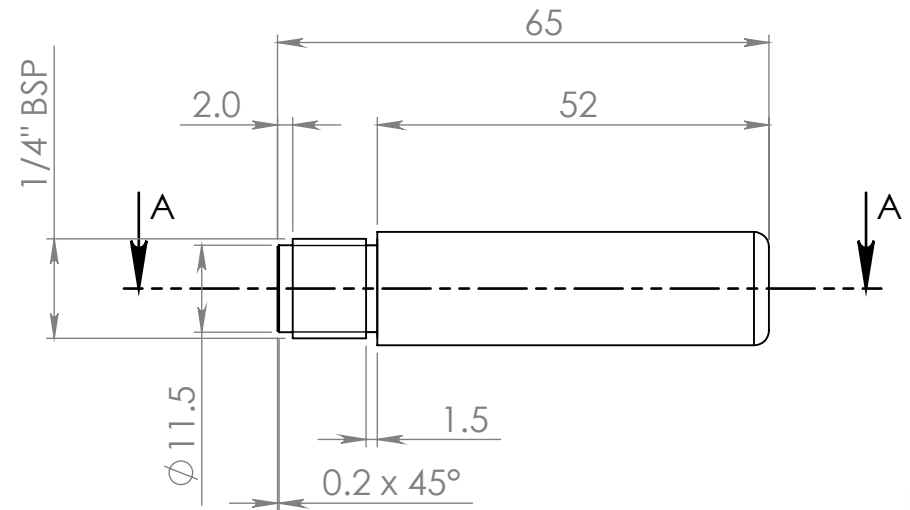
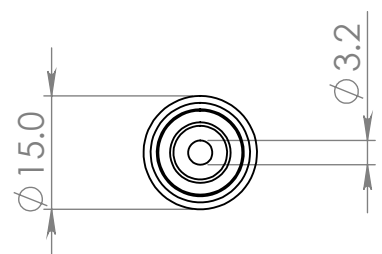


REVISIONS			
REV.	DESCRIPTION	DATE	APPROVED
A	2018 RE-ISSUE	22/12/2017	



REMOVE ALL BURRS AND SHARP EDGES

© Machine Concept Ltd
 6 Fieldview, Bar Hill
 Cambridge, CB23 8SX.
 United Kingdom
 Tel: +44 (0) 1954 780772
 mike@machineconcepts.co.uk

All dimensions are in mm unless otherwise stated.
 No dec pl : ± 0.5 mm
 1 dec pl : ± 0.2 mm
 2 dec pl : ± 0.1 mm
 3 dec pl : ± 0.05 mm
 angular : $\pm 0.2^\circ$
DO NOT SCALE



Drg By. Mike Nelson	Chk'd By. MRN	Approved - date	Model Name SP-DP-007	Date. 14/09/2011	Scale 1:1
Material. BLACK ACETAL		Title. SMALL D DRONE STANDING PART BASE			
Finish. CLEAN AND SMOOTH		Drg No. SP-DP-007	Sheet number. A4 1 of 1		