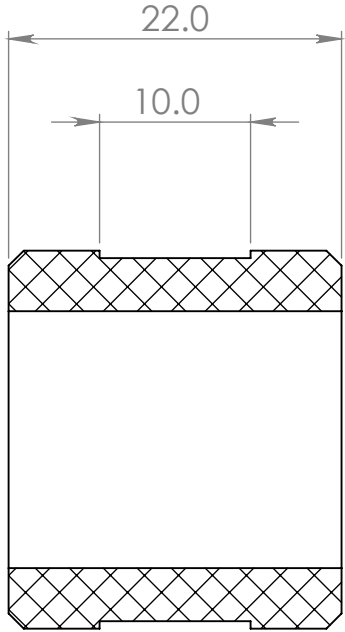
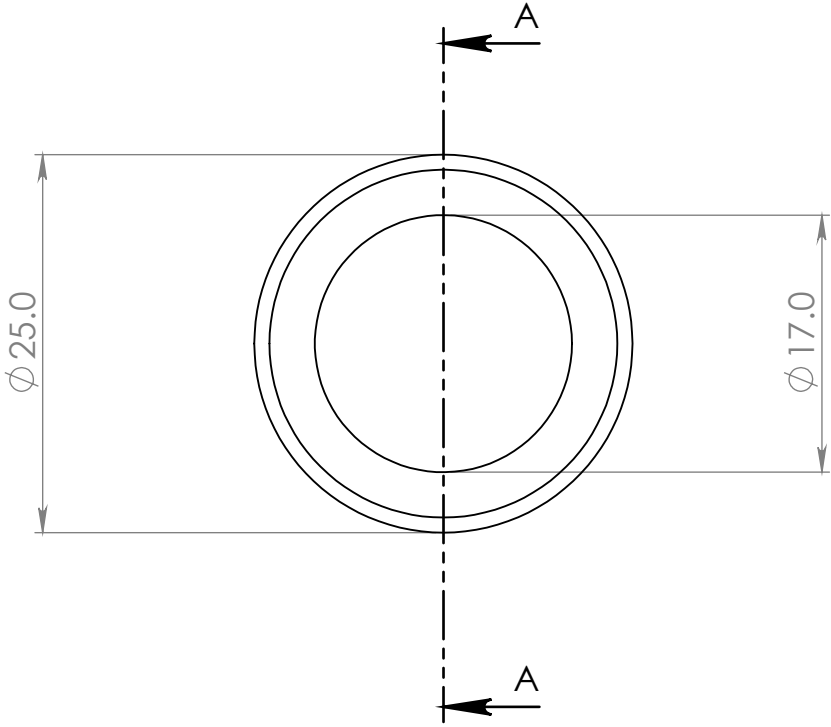


REVISIONS			
REV.	DESCRIPTION	DATE	APPROVED
A	2018 RE-ISSUE	26/12/2017	



SECTION A-A

© Machine Concept Ltd
 6 Fieldview, Bar Hill
 Cambridge, CB23 8SX.
 United Kingdom
 Tel: +44 (0) 1954 780772
 mike@machineconcepts.co.uk

All dimensions are in mm
 unless otherwise stated.
 No dec pl : ± 0.5mm
 1 dec pl : ± 0.2mm
 2 dec pl : ± 0.1mm
 3 dec pl : ± 0.05mm
 angular : ± 0.2°
DO NOT SCALE



3rd Angle

Drg By. Mike Nelson	Chk'd By. MRN	Approved - date	Model Name SP-DP-006	Date. 31/10/2011	Scale 2:1
Material. BLACK ACETAL		Title. CHANTER BAG STOCK			
Finish. CLEAN AND SMOOTH		Drg No. SP-DP-006	Sheet number. A4 1 of 1		