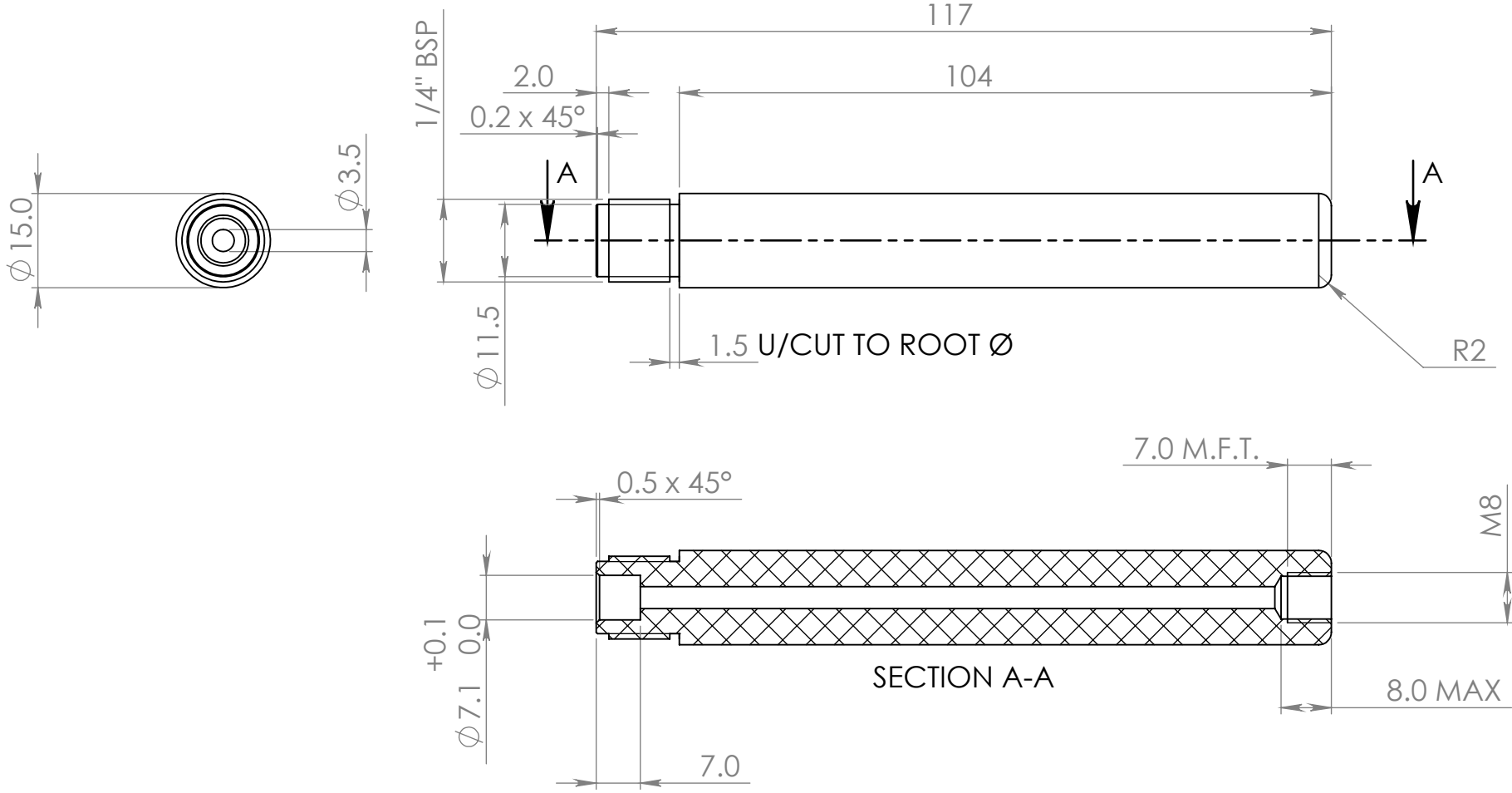


REVISIONS			
REV.	DESCRIPTION	DATE	APPROVED
A	2018 RE-ISSUE	22/12/2017	



REMOVE ALL BURRS AND SHARP EDGES

© Machine Concept Ltd
 6 Fieldview, Bar Hill
 Cambridge, CB23 8SX.
 United Kingdom
 Tel: +44 (0) 1954 780772
 mike@machineconcepts.co.uk

All dimensions are in mm unless otherwise stated.
 No dec pl : ± 0.5mm
 1 dec pl : ± 0.2mm
 2 dec pl : ± 0.1mm
 3 dec pl : ± 0.05mm
 angular : ± 0.2°
DO NOT SCALE



Drg By. Mike Nelson	Chk'd By. MRN	Approved - date	Model Name SP-DP-004	Date. 14/09/2011	Scale 1:1
Material. BLACK ACETAL	Title. BIG D DRONE STANDING PART BASE				
Finish. CLEAN AND SMOOTH	Drg No. SP-DP-004	Sheet number. A4		1 of 1	