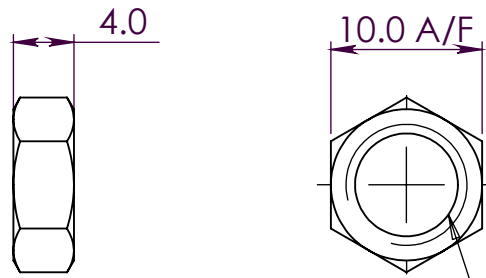
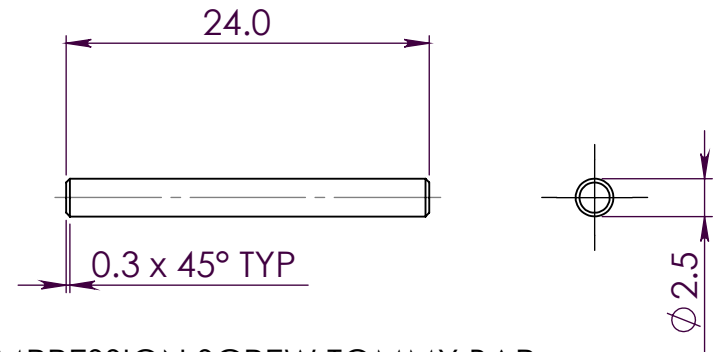


NEEDLE

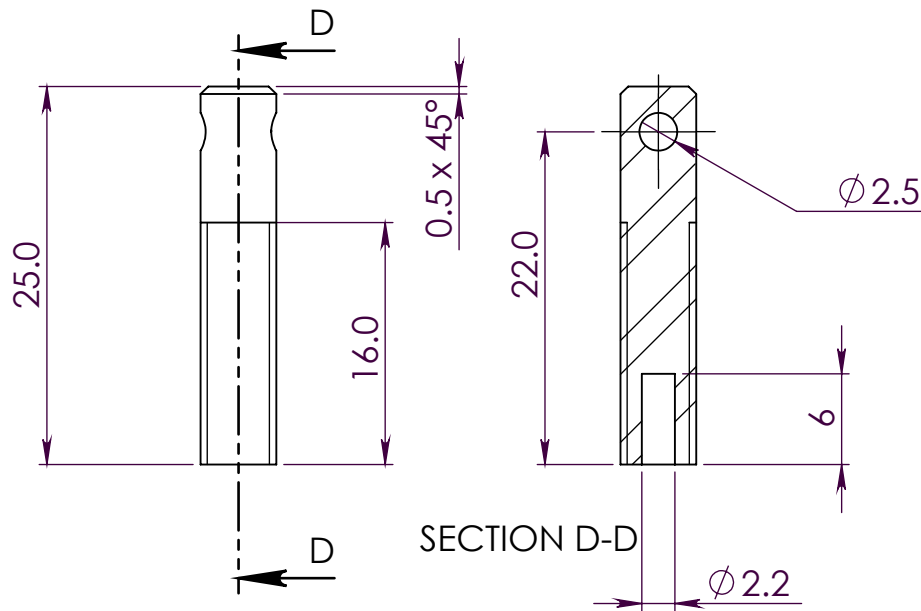


TAP M8 x 0.75 (TO SUIT VENTURIE)

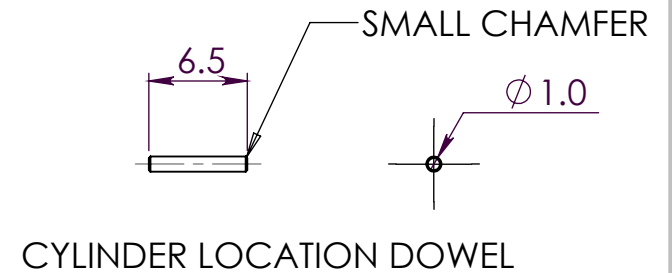
VENTURIE NUT



COMPRESSION SCREW TOMMY BAR



COMPRESSION SCREW



CYLINDER LOCATION DOWEL

© Machine Concept Ltd

All dimensions are in mm unless otherwise stated.  
 No dec pl : ± 0.5mm  
 1 dec pl : ± 0.2mm  
 2 dec pl : ± 0.1mm  
 3 dec pl : ± 0.05mm  
 angular : ± 0.2°  
**DO NOT SCALE**



Drg By. MRN	Chk'd By.	Approved - date	Model Name needle valve needle	Date. 31/12/2011	Scale 2:1
Material. STEEL	Title. <b>NELSON 2cc</b>				
Finish. SMOOTH	Drg No. <b>TANK TOP</b>	Sheet number. A4 1 of 1			