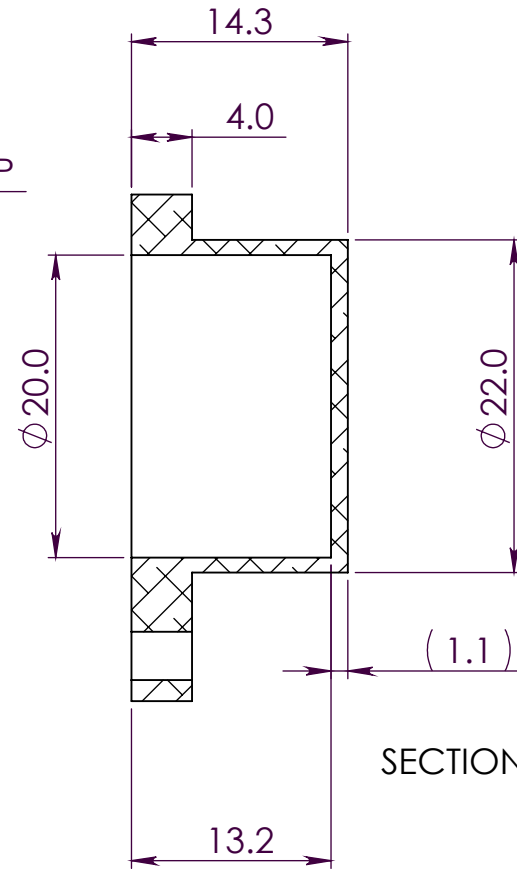


4 x $\phi 2.9$ THRU ALL
 $\square \phi 5.5 \nabla 2.5$

$\phi 3.2$ TYP



© Machine Concept Ltd

All dimensions are in mm unless otherwise stated.

No dec pl : ± 0.5 mm
 1 dec pl : ± 0.2 mm
 2 dec pl : ± 0.1 mm
 3 dec pl : ± 0.05 mm
 angular : $\pm 0.2^\circ$

DO NOT SCALE



3rd Angle

Drg By.

MRN

Material.

AL ALLOY

Finish.

Finish

Chk'd By.

Approved - date

Model Name

backplate

Date.

31/12/2011

Scale

2:1

Title.

BACKPLATE

Drg No.

-

Sheet number.

A4

1 of 1