

REVISIONS			
REV.	DESCRIPTION	DATE	APPROVED

A

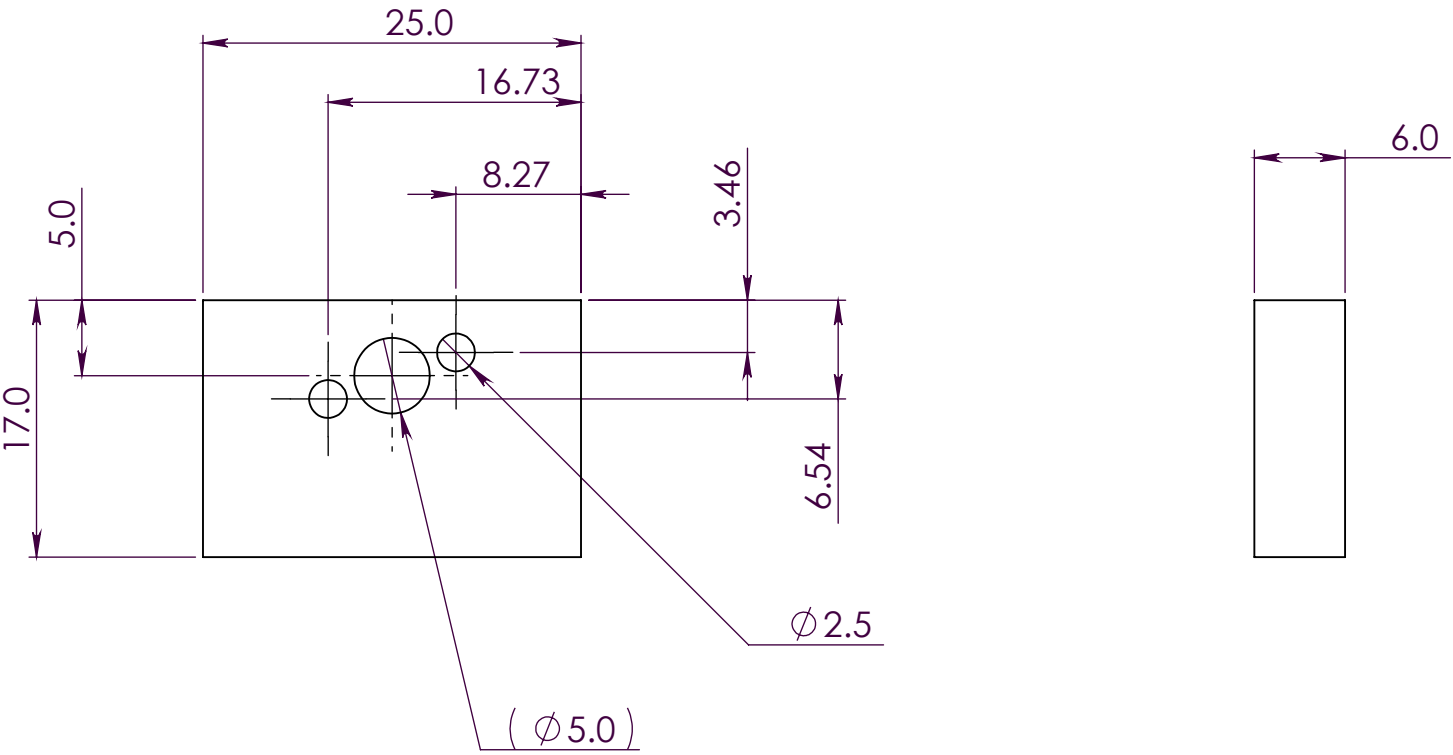
B

C

D

E

F



© Machine Concept Ltd  
 6 Fieldview, Bar Hill  
 Cambridge, CB23 8SX.  
 United Kingdom  
 Tel: +44 (0) 1954 780772  
 mike@machineconcepts.co.uk

**All dimensions are in mm unless otherwise stated.**  
 No dec pl : ± 0.5mm  
 1 dec pl : ± 0.2mm  
 2 dec pl : ± 0.1mm  
 3 dec pl : ± 0.05mm  
 angular : ± 0.2°  
**DO NOT SCALE**



Drg By. MRN	Chk'd By.	Approved - date	Model Name propdriver cam machining jig	Date. 14/04/2012	Scale 2:1
Material. AL ALLOY	Finish. Finish		Title. <b>BUNCH CAM MACHINING JIG</b>		
Drg No. -			Sheet number. A4 1 of 1		

A

B

C

D

E

F