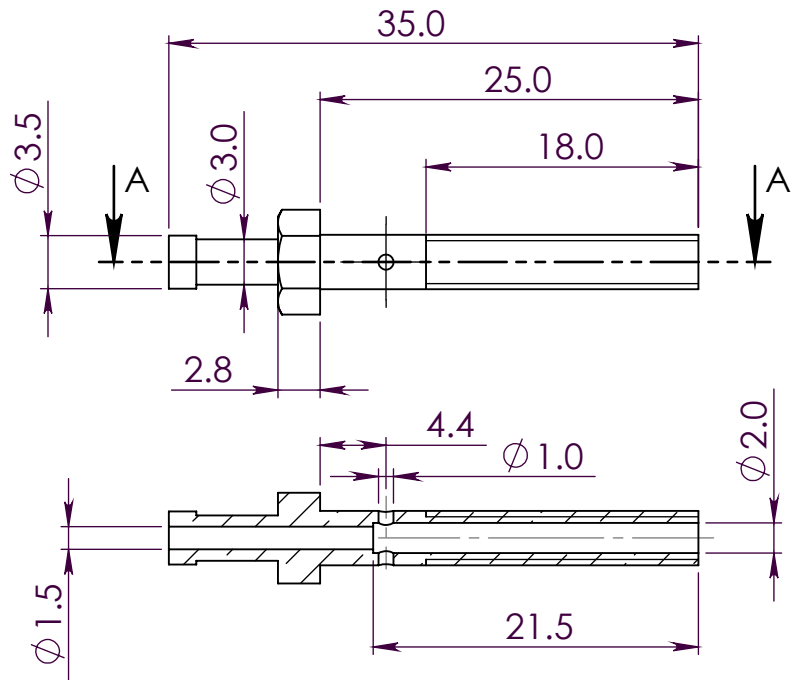
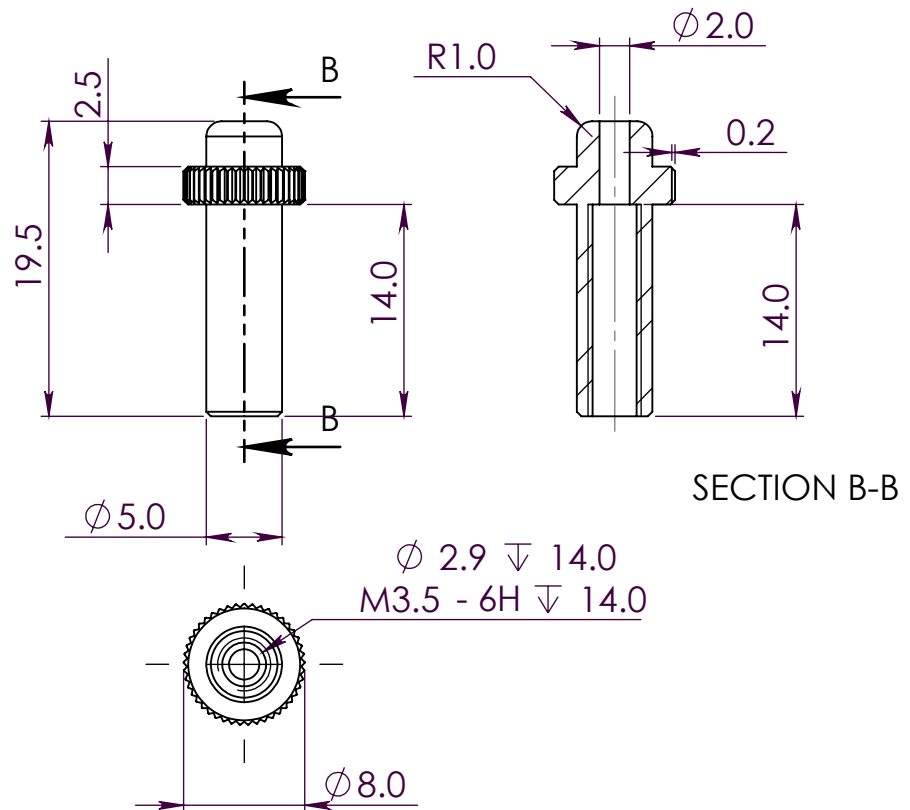


REVISIONS			
REV.	DESCRIPTION	DATE	APPROVED



SECTION A-A

NOTE
THE FIRST EXAMPLE USED A 4BA THREAD



SECTION B-B

© Machine Concept Ltd
6 Fieldview, Bar Hill
Cambridge, CB23 8SX.
United Kingdom
Tel: +44 (0) 1954 780772
mike@machineconcepts.co.uk

All dimensions are in mm
unless otherwise stated.
No dec pl : $\pm 0.5\text{mm}$
1 dec pl : $\pm 0.2\text{mm}$
2 dec pl : $\pm 0.1\text{mm}$
3 dec pl : $\pm 0.05\text{mm}$
angular : $\pm 0.2^\circ$
DO NOT SCALE



Drg By. MRN	Chk'd By.	Approved - date	Model Name needle valve fixed part	Date. 06/04/2012	Scale 2:1
Material. SEE ABOVE	Title. BUNCH NEEDLE VALVE PARTS			Sheet number. A4 1 of 1	
Finish. Finish	Drg No. -				