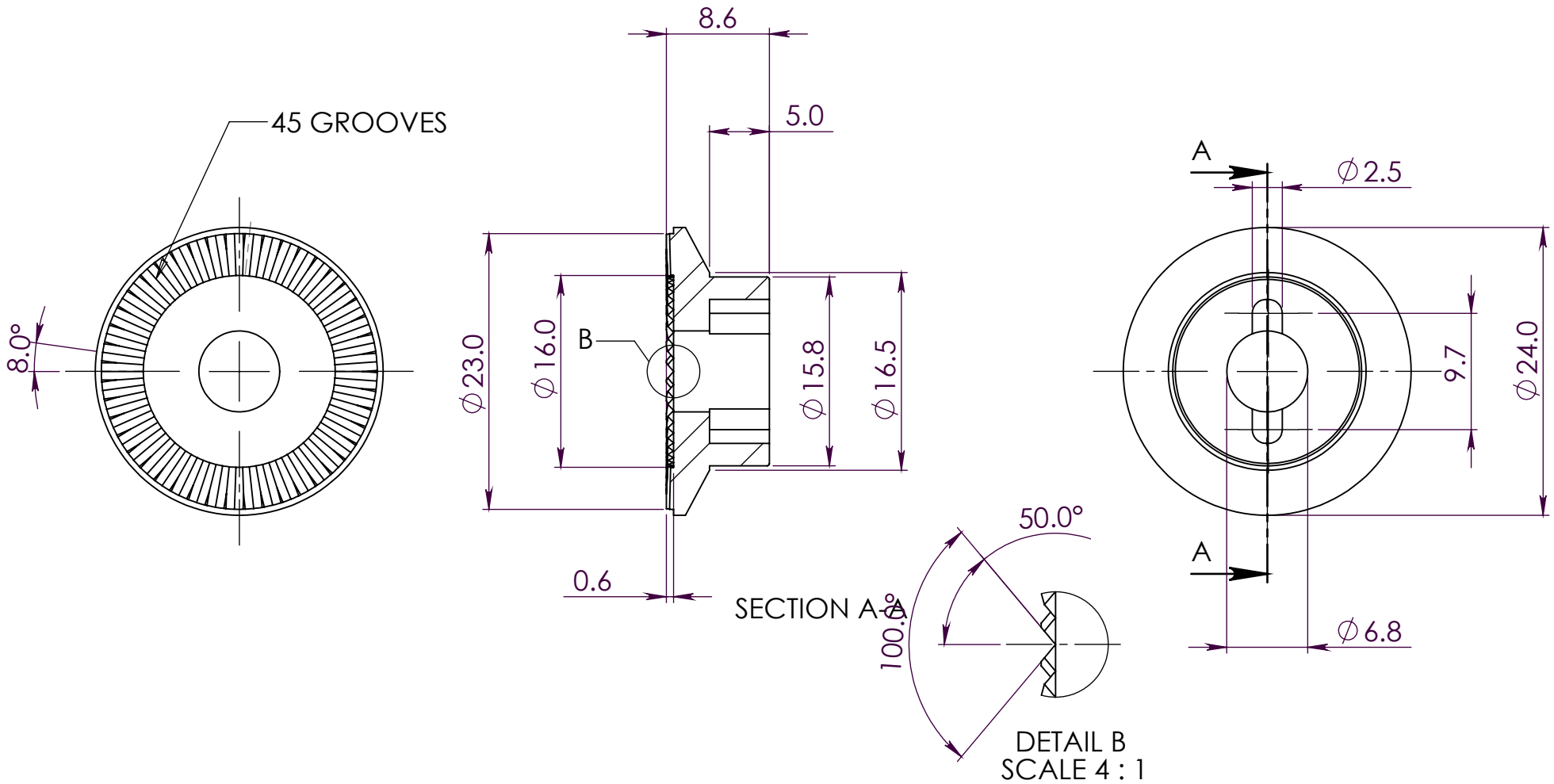


REVISIONS			
REV.	DESCRIPTION	DATE	APPROVED



© Machine Concept Ltd  
 6 Fieldview, Bar Hill  
 Cambridge, CB23 8SX.  
 United Kingdom  
 Tel: +44 (0) 1954 780772  
 mike@machineconcepts.co.uk

All dimensions are in mm unless otherwise stated.  
 No dec pl :  $\pm 0.5\text{mm}$   
 1 dec pl :  $\pm 0.2\text{mm}$   
 2 dec pl :  $\pm 0.1\text{mm}$   
 3 dec pl :  $\pm 0.05\text{mm}$   
 angular :  $\pm 0.2^\circ$   
**DO NOT SCALE**



Drg By. MRN	Chk'd By.	Approved - date	Model Name bunch propdriver	Date. 02/04/2012	Scale 2:1
Material. STEEL	Title. <b>BUNCH AERO TIGER PROP DRIVER</b>			Sheet number. A4 1 of 1	
Finish. CLEAN AND SMOOTH	Drg No. -				