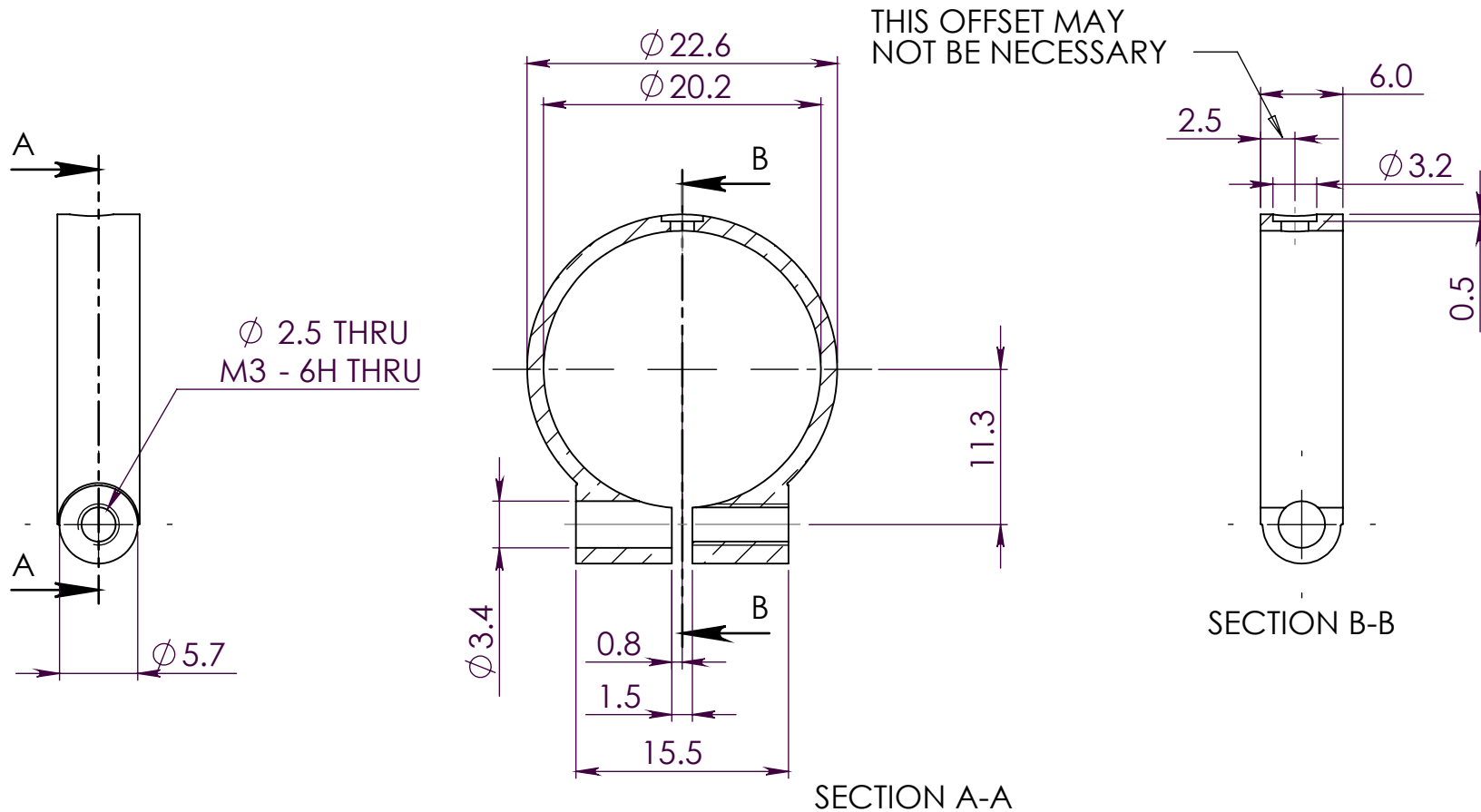


REVISIONS			
REV.	DESCRIPTION	DATE	APPROVED



© Machine Concept Ltd

6 Fieldview, Bar Hill
Cambridge, CB23 8SX.
United Kingdom
Tel: +44 (0) 1954 780772
mike@machineconcepts.co.uk

All dimensions are in mm
unless otherwise stated.

No dec pl : ± 0.5mm
1 dec pl : ± 0.2mm
2 dec pl : ± 0.1mm
3 dec pl : ± 0.05mm
angular : ± 0.2°

DO NOT SCALE



3rd Angle

Drg By. MRN	Chk'd By.	Approved - date	Model Name bunch fixed point mtg	Date. 03/04/2012	Scale 2:1
Material. BRASS	Title. BUNCH FIXED POINT MOUNTING STRAP				
Finish. AS SUPPLIED	Drg No. -	Sheet number. A4 1 of 1			