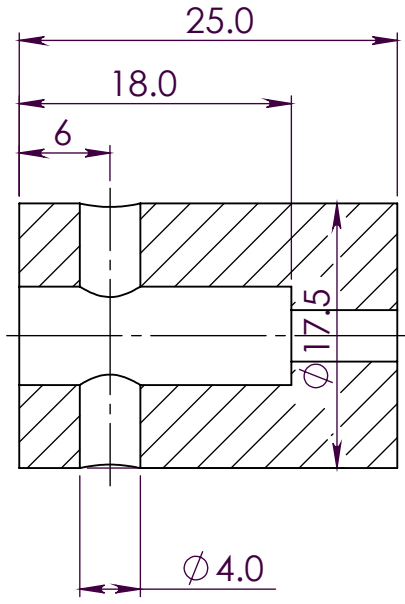
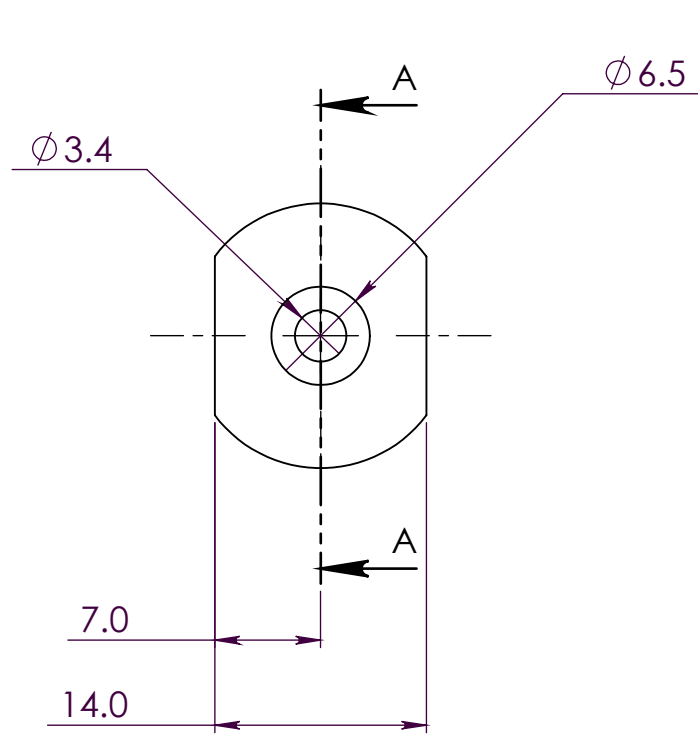


REVISIONS			
REV.	DESCRIPTION	DATE	APPROVED



SECTION A-A

© Machine Concept Ltd  
 6 Fieldview, Bar Hill  
 Cambridge, CB23 8SX.  
 United Kingdom  
 Tel: +44 (0) 1954 780772  
 mike@machineconcepts.co.uk

All dimensions are in mm  
 unless otherwise stated.  
 No dec pl :  $\pm 0.5\text{mm}$   
 1 dec pl :  $\pm 0.2\text{mm}$   
 2 dec pl :  $\pm 0.1\text{mm}$   
 3 dec pl :  $\pm 0.05\text{mm}$   
 angular :  $\pm 0.2^\circ$   
**DO NOT SCALE**



Drg By. MRN	Chk'd By.	Approved - date	Model Name BUNCH BACKPLATE REMOVAL TOOL	Date. 02/04/2020	Scale 2:1
Material. steel	Title. <b>Bunch Aero Tiger backplate removal tool</b>		Drg No. -	Sheet number. A4 1 of 1	
Finish. natural					