

1

2

3

4

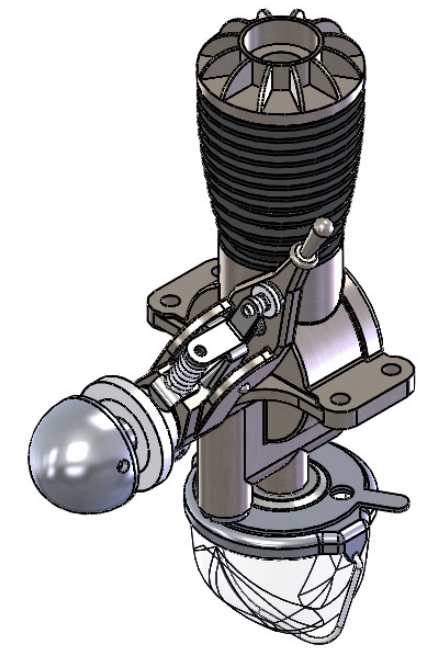
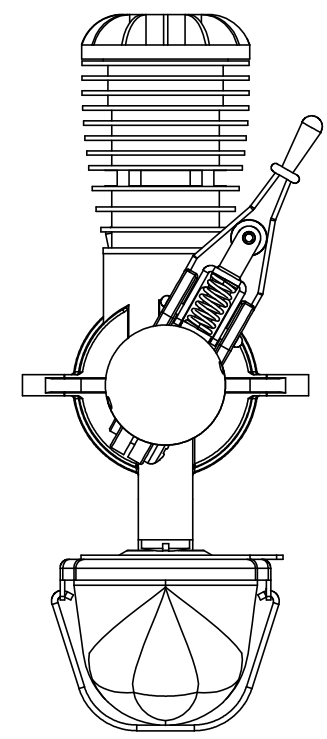
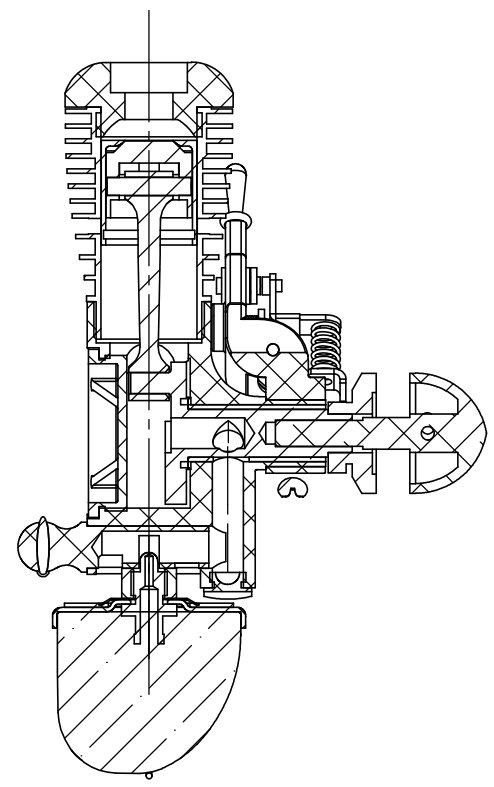
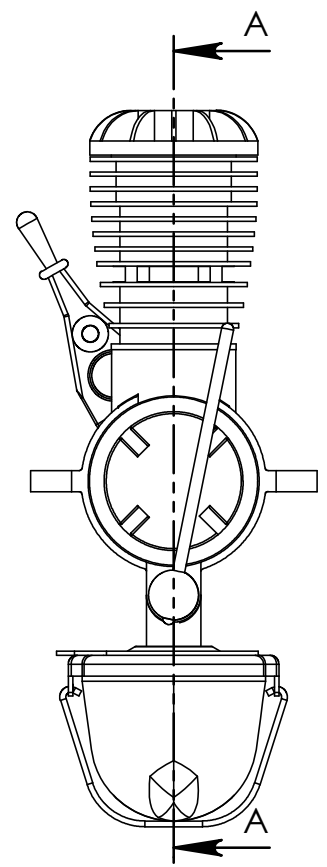
5

6

7

REVISIONS

REV.	DESCRIPTION	DATE	APPROVED
------	-------------	------	----------



SECTION A-A

© Machine Concept Ltd

All dimensions are in mm unless otherwise stated.
 No dec pl : ± 0.5mm
 1 dec pl : ± 0.2mm
 2 dec pl : ± 0.1mm
 3 dec pl : ± 0.05mm
 angular : ± 0.2°
DO NOT SCALE



Drg By. MIKE NELSON	Chk'd By. NOT CHECKED	Approved - date	Model Name atom assembly	Date. 26/05/2012	Scale 1:1
Material. SEE PARTS		Title. Arden Super Atom V			
Finish. -		Drg No. MAIN ASSEMBLY		Sheet number. A4 1 of 1	

1

2

3

4

5

6

7