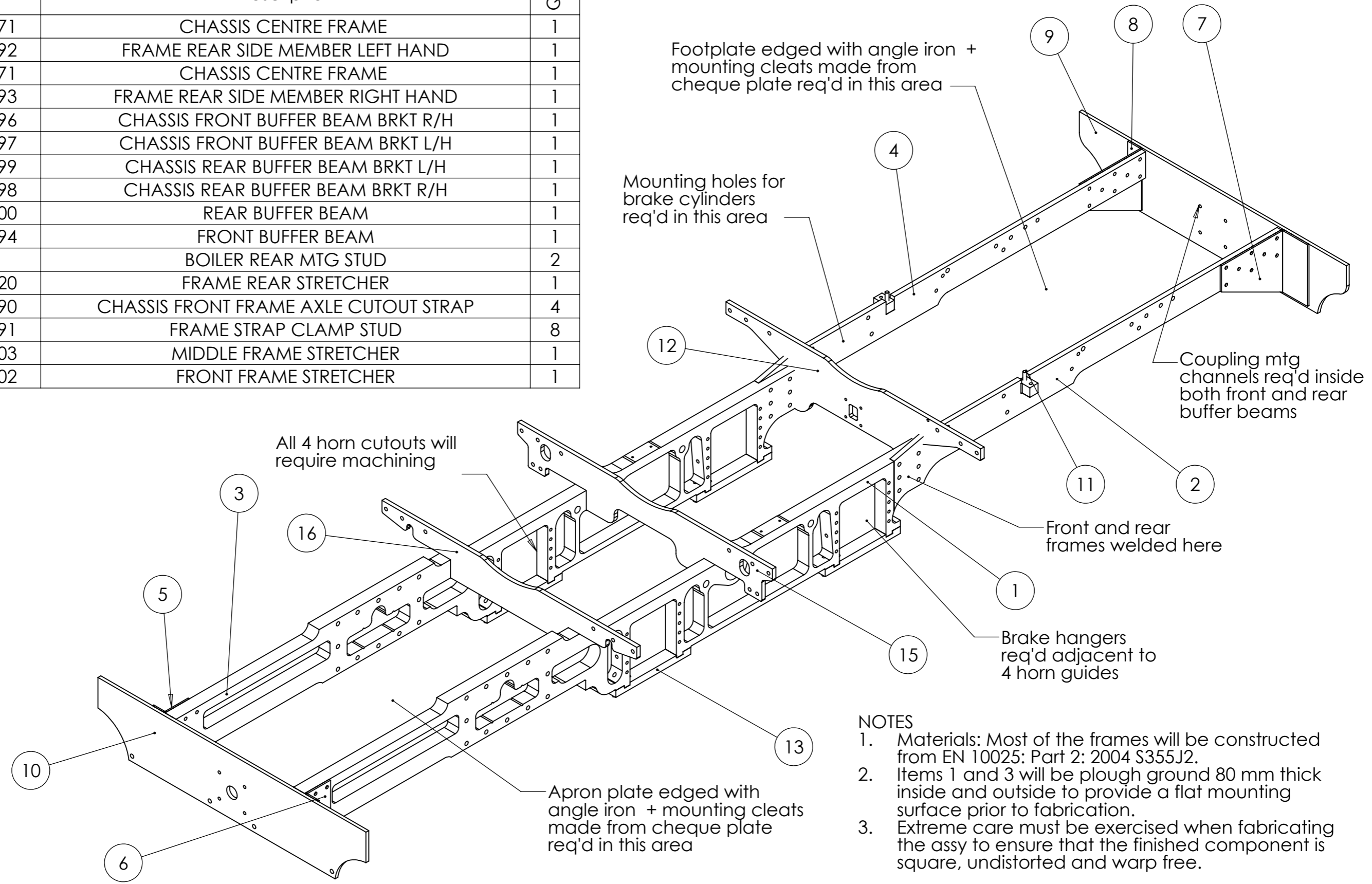


ITEM NO.	Number	Description	Qty
1	A0-LYN-671	CHASSIS CENTRE FRAME	1
2	A0-LYN-792	FRAME REAR SIDE MEMBER LEFT HAND	1
3	A0-LYN-671	CHASSIS CENTRE FRAME	1
4	A0-LYN-793	FRAME REAR SIDE MEMBER RIGHT HAND	1
5	A2-LYN-796	CHASSIS FRONT BUFFER BEAM BRKT R/H	1
6	A2-LYN-797	CHASSIS FRONT BUFFER BEAM BRKT L/H	1
7	A2-LYN-799	CHASSIS REAR BUFFER BEAM BRKT L/H	1
8	A2-LYN-798	CHASSIS REAR BUFFER BEAM BRKT R/H	1
9	A0-LYN-800	REAR BUFFER BEAM	1
10	A0-LYN-794	FRONT BUFFER BEAM	1
11	TBD	BOILER REAR MTG STUD	2
12	A1-LYN-220	FRAME REAR STRETCHER	1
13	A2-LYN-790	CHASSIS FRONT FRAME AXLE CUTOUT STRAP	4
14	A4-LYN-791	FRAME STRAP CLAMP STUD	8
15	A1-LYN-803	MIDDLE FRAME STRETCHER	1
16	A1-LYN-802	FRONT FRAME STRETCHER	1



- NOTES**
1. Materials: Most of the frames will be constructed from EN 10025: Part 2: 2004 S355J2.
 2. Items 1 and 3 will be plough ground 80 mm thick inside and outside to provide a flat mounting surface prior to fabrication.
 3. Extreme care must be exercised when fabricating the assy to ensure that the finished component is square, undistorted and warp free.

WEIGHT = 1827.63 kg

A	ISSUED FOR QUOTATION ONLY	27/05/2014	
REV.	DESCRIPTION	DATE	APPROVED
REVISIONS			

The Lynton & Barnstaple Railway
The 'Lyn' Project
 Technical queries to Ian on 01954 204338 or:-
 ian.gaylor@steam-loco-design.co.uk
 Drawing queries to Mike on 01954 780772 or:-
 baldwin@machineconcepts.co.uk

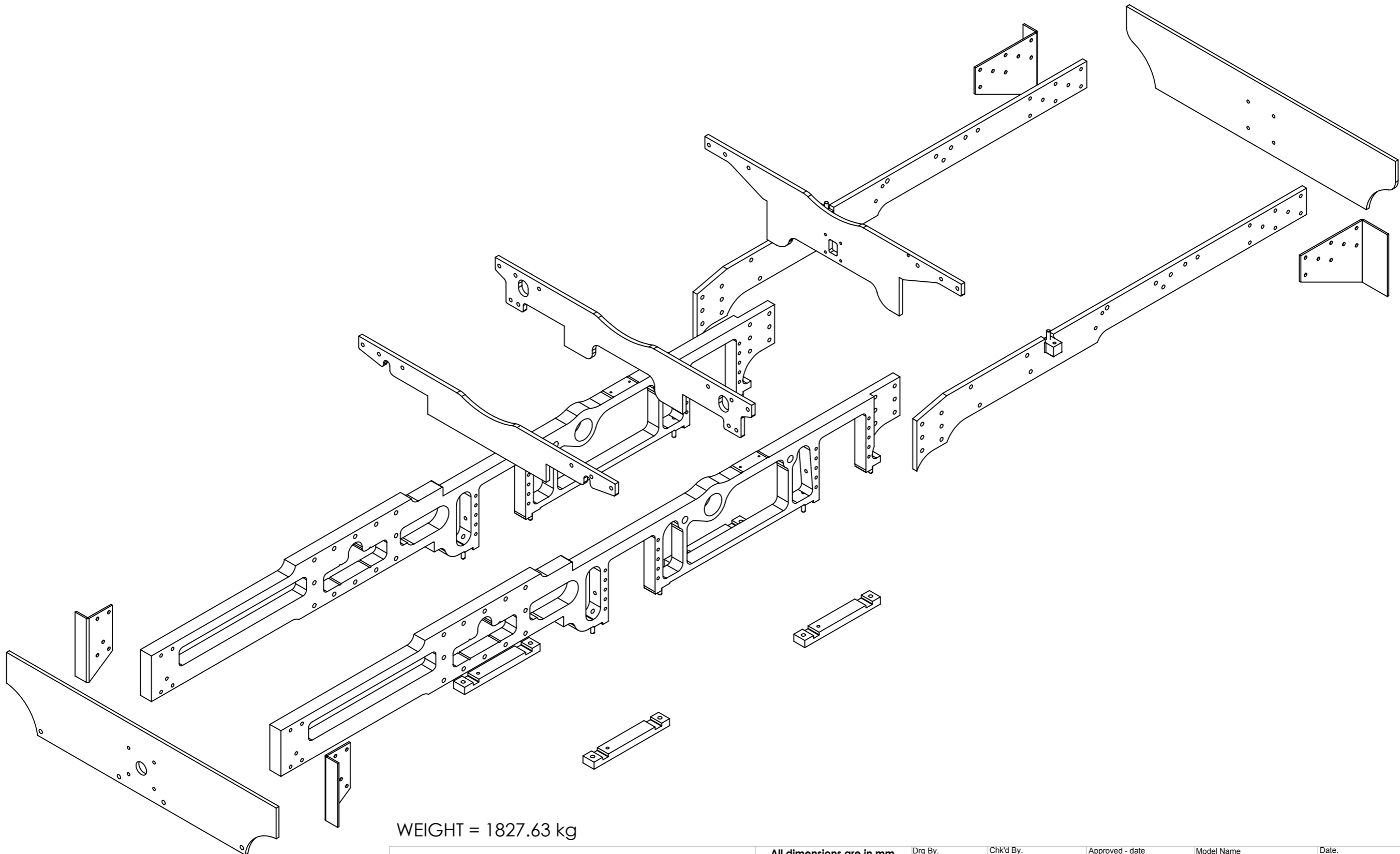
All dimensions are in mm unless otherwise stated.
 No dec pl : ± 0.5mm
 1 dec pl : ± 0.2mm
 2 dec pl : ± 0.1mm
 3 dec pl : ± 0.05mm
 angular : ± 0.2°
DO NOT SCALE

3rd Angle

Drg By. MRN	Chk'd By. CHKD BY	Approved - date	Model Name A3-LYN-900	Date. 26/02/2011	Scale 1:20
Material. SEE PARTS	Title. CHASSIS ASSEMBLY (NOT FINISHED)		Drg No. A3-LYN-900	Sheet number. A3 1 of 3	
Finish. SEE PARTS					

1 2 3 4 5 6 7 8 9 10 11 12 13

A
B
C
D
E
F
G
H
I



WEIGHT = 1827.63 kg

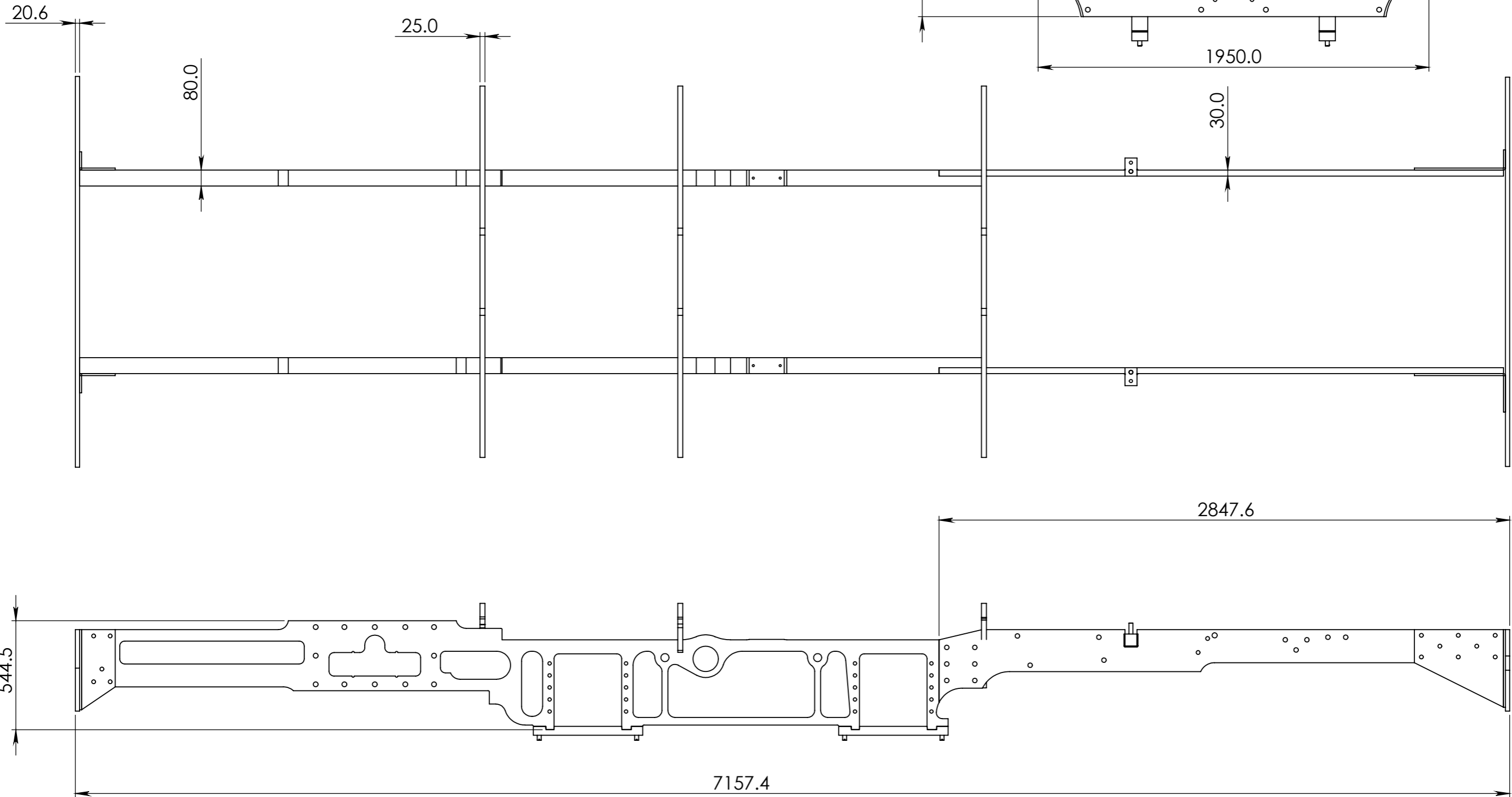
The Lynton & Barnstaple Railway
The 'Lyn' Project
 Technical queries to Ian on 01954 204338 or:-
 ian.gaylor@steam-loco-design.co.uk
 Drawing queries to Mike on 01954 780772 or:-
 baldwin@machineconcepts.co.uk

All dimensions are in mm
 unless otherwise stated.
 No dec pl : ± 0.5mm
 1 dec pl : ± 0.2mm
 2 dec pl : ± 0.1mm
 3 dec pl : ± 0.05mm
 angular : ± 0.2°
DO NOT SCALE



Drg By. MRN	Chk'd By. CHKD BY	Approved - date	Model Name A3-LYN-900	Date. 26/02/2011	Scale 1:20
Material. SEE PARTS		Title. CHASSIS ASSEMBLY (NOT FINISHED)			
Finish. SEE PARTS		Drg No. A3-LYN-900		Sheet number. A3 2 of 3	

1 2 3 4 5 6 7 8 9 10 11 12 13



WEIGHT = 1827.63 kg

**The Lynton & Barnstaple Railway
The 'Lyn' Project**

Technical queries to Ian on 01954 204338 or:-
ian.gaylor@steam-loco-design.co.uk
Drawing queries to Mike on 01954 780772 or:-
baldwin@machineconcepts.co.uk

All dimensions are in mm
unless otherwise stated.
No dec pl : ± 0.5mm
1 dec pl : ± 0.2mm
2 dec pl : ± 0.1mm
3 dec pl : ± 0.05mm
angular : ± 0.2°
DO NOT SCALE



Drg By. MRN	Chk'd By. CHKD BY	Approved - date	Model Name A3-LYN-900	Date. 26/02/2011	Scale 1:20
Material. SEE PARTS		Title. CHASSIS ASSEMBLY (NOT FINISHED)			
Finish. SEE PARTS		Drg No. A3-LYN-900		Sheet number. A3 3 of 3	