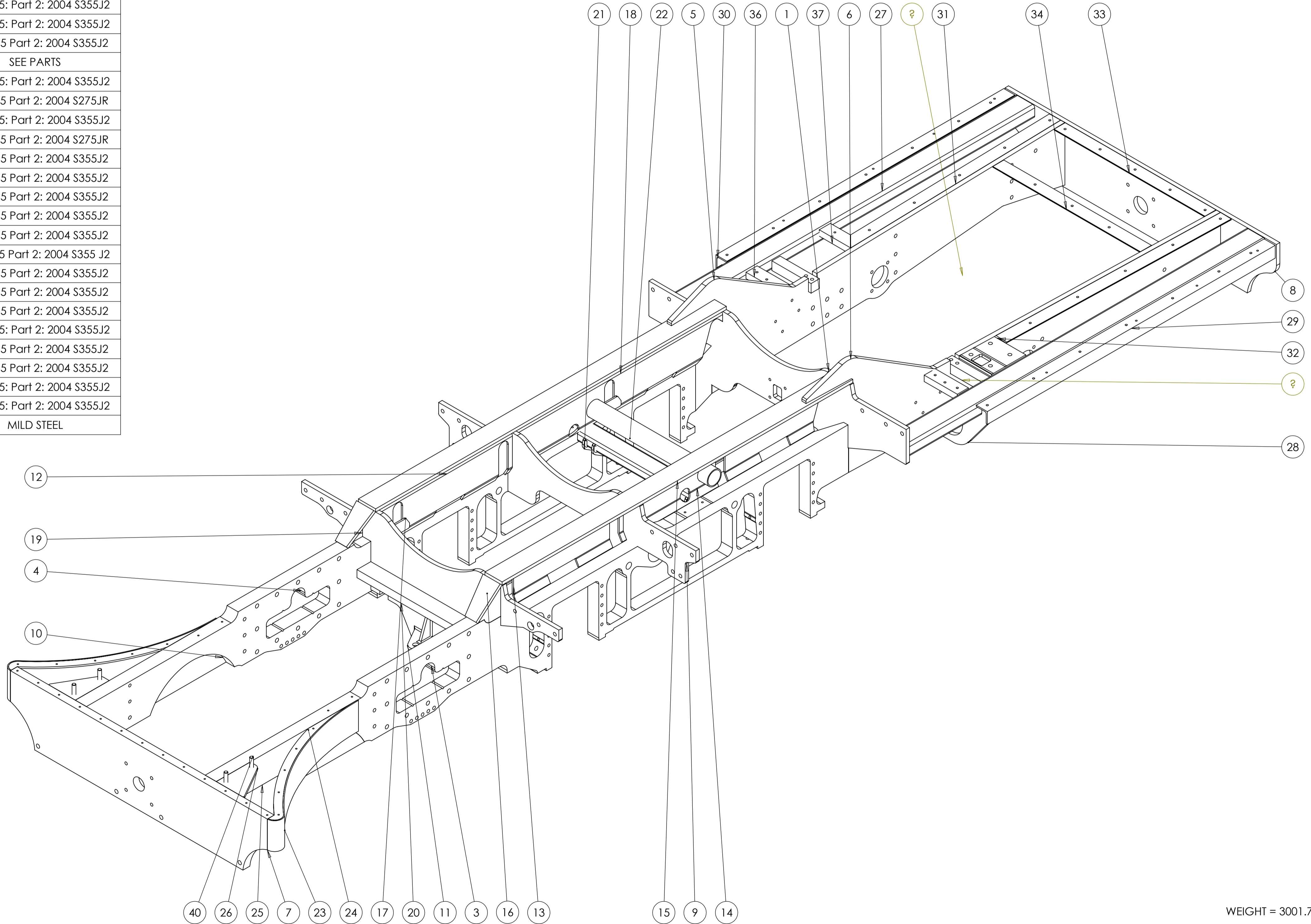


ITEM NO.	PART NUMBER	Description	Qty	Revision	Material
1	A1-LYN-220	FRAME REAR STRETCHER	1	A	EN10025: Part 2: 2004 S355J2
2	A3-LYN-231	BOILER REAR MOUNTING CHASSIS BLOCK	2	A	EN10025: Part 2: 2004 S355J2
3	A0-LYN-671	CHASSIS FRAME LEFT HAND SIDE MACHINING	1	A	EN10025: Part 2: 2004 S355J2
4	A0-LYN-671	CHASSIS FRAME RIGHT HAND SIDE MACHINING	1	A	EN10025: Part 2: 2004 S355J2
5	A0-LYN-792	FRAME REAR SIDE MEMBER RIGHT HAND	1	A	EN10025: Part 2: 2004 S355J2
6	A0-LYN-792	FRAME REAR SIDE MEMBER LEFT HAND	1	A	EN10025: Part 2: 2004 S355J2
7	A0-LYN-794	FRONT BUFFER BEAM	1	A	EN10025: Part 2: 2004 S355J2
8	A0-LYN-800	REAR BUFFER BEAM	1	A	EN10025: Part 2: 2004 S355J2
9	A1-LYN-803	MIDDLE FRAME STRETCHER	1	A	EN10025: Part 2: 2004 S355J2
10	A1-LYN-831	CHASSIS FRAME CUTOUT BLANKING PLATE	2	A	EN10025: Part 2: 2004 S355J2
11	A2-LYN-896	FRONT FRAME STIFFENER WELDED ASSEMBLY	1	A	SEE PARTS
12	A2-LYN-922	FRONT FRAME STIFFENER R/H	1	A	EN10025: Part 2: 2004 S355J2
13	A2-LYN-924	FRONT FRAME STIFFENER L/H	1	A	EN10025: Part 2: 2004 S355J2
14	A2-LYN-925	REAR FRAME STIFFENER L/H	1	A	EN10025: Part 2: 2004 S355J2
15	A3-LYN-926	FRAME TOP STIFFENER	2	A	EN10025: Part 2: 2004 S355J2
16	A3-LYN-927	FRAME TOP STIFFENER FRONT BRACE	2	A	EN10025: Part 2: 2004 S355J2
17	A4-LYN-928	FRAME STIFFENER CUTOUT BRACE	4	A	EN10025: Part 2: 2004 S355J2
18	A2-LYN-929	REAR FRAME STIFFENER R/H	1	A	EN10025: Part 2: 2004 S355J2
19	A3-LYN-937	FRAME STIFFENER FRONT INFILL	2	A	EN10025: Part 2: 2004 S355J2
20	A2-LYN-1062	FRONT BRAKE HANGER LUG SUPPORT	1	A	EN10025: Part 2: 2004 S355J2
21	A3-LYN-1063	REAR BRAKE HANGER BEAM WELDED ASSY	1	A	SEE PARTS
22	A1-LYN-1118	WATER TANK BALANCING PIPE	1	A	EN10025: Part 2: 2004 S355J2
23	A0-LYN-1122	APRON PLATE SUPPORT FLANGE SIDE	2	A	EN10025: Part 2: 2004 S275JR
24	A1-LYN-1123	APRON PLATE SUPPORT FLANGE	2	A	EN10025: Part 2: 2004 S355J2
25	A2-LYN-1124	APRON PLATE SUPPORT BALLAST BOX BTM	2	A	EN10025: Part 2: 2004 S275JR
26	A3-LYN-1129	SMOKEBOX STAY GUSSET PLATE	2	A	EN10025: Part 2: 2004 S355J2
27	A2-LYN-1136	CAB SUPPORT BEAM	2	A	EN10025: Part 2: 2004 S355J2
28	A2-LYN-1137	STEAM BRAKE CYLINDER SUPPORT	2	A	EN10025: Part 2: 2004 S355J2
29	A2-LYN-1141	FOOTPLATE SUPPORT OUTER ANGLE L/H	1	A	EN10025: Part 2: 2004 S355J2
30	A2-LYN-1142	FOOTPLATE SUPPORT OUTER ANGLE R/H	1	A	EN10025: Part 2: 2004 S355J2
31	A2-LYN-1143	FOOTPLATE SUPPORT ANGLE R/H	1	A	EN10025: Part 2: 2004 S355 J2
32	A2-LYN-1144	FOOTPLATE SUPPORT ANGLE L/H	1	A	EN10025: Part 2: 2004 S355J2
33	A2-LYN-1145	REAR FOOTPLATE SUPPORT ANGLE	1	A	EN10025: Part 2: 2004 S355J2
34	A2-LYN-1146	INTERMEDIATE FOOTPLATE SUPPORT ANGLE	1	A	EN10025: Part 2: 2004 S355J2
35	A2-LYN-1147	HAND BRAKE STAND MTG PLATE	1	A	EN10025: Part 2: 2004 S355J2
36	A2-LYN-1148	FRONT CAB SUPPORT ANGLE R/H	2	A	EN10025: Part 2: 2004 S355J2
37	A3-LYN-1149	FRONT FOOTPLATE SUPPORT ANGLE	1	A	EN10025: Part 2: 2004 S355J2
38	A3-LYN-1152	REAR HANDBRAKE STAND MTG WEB	1	A	EN10025: Part 2: 2004 S355J2
39	A3-LYN-1153	FRONT HANDBRAKE STAND MTG WEB	1	A	EN10025: Part 2: 2004 S355J2
40	m20 X 80 bolt	M20 x 80 BOLT	4	Revision	MILD STEEL



WEIGHT = 3001.75 kg

The Lynton & Barnstaple Railway
The 'Lyn' Project
 Technical queries to Ian on 01954 204338 or:-
 ian.gaylor@steam-loco-design.co.uk
 Drawing queries to Mike on 01954 780772 or:-
 baldwin@machineconcepts.co.uk

All dimensions are in mm unless otherwise stated.
 No dec pt : ± 0.5mm
 1 dec pt : ± 0.2mm
 2 dec pt : ± 0.1mm
 3 dec pt : ± 0.05mm
 angular : ± 0.2°
DO NOT SCALE

DrawnBy	CHKD BY	Approved - date	Model Name	Date	Scale
			A3-LYN-074	09/02/2015	1:12
Material	SEE PARTS	Finish	SEE PARTS	Orig No.	Sheet size: Sheet number:
					A1 1 of 1

REV.	DESCRIPTION	DATE	APPROVED
REVISIONS			