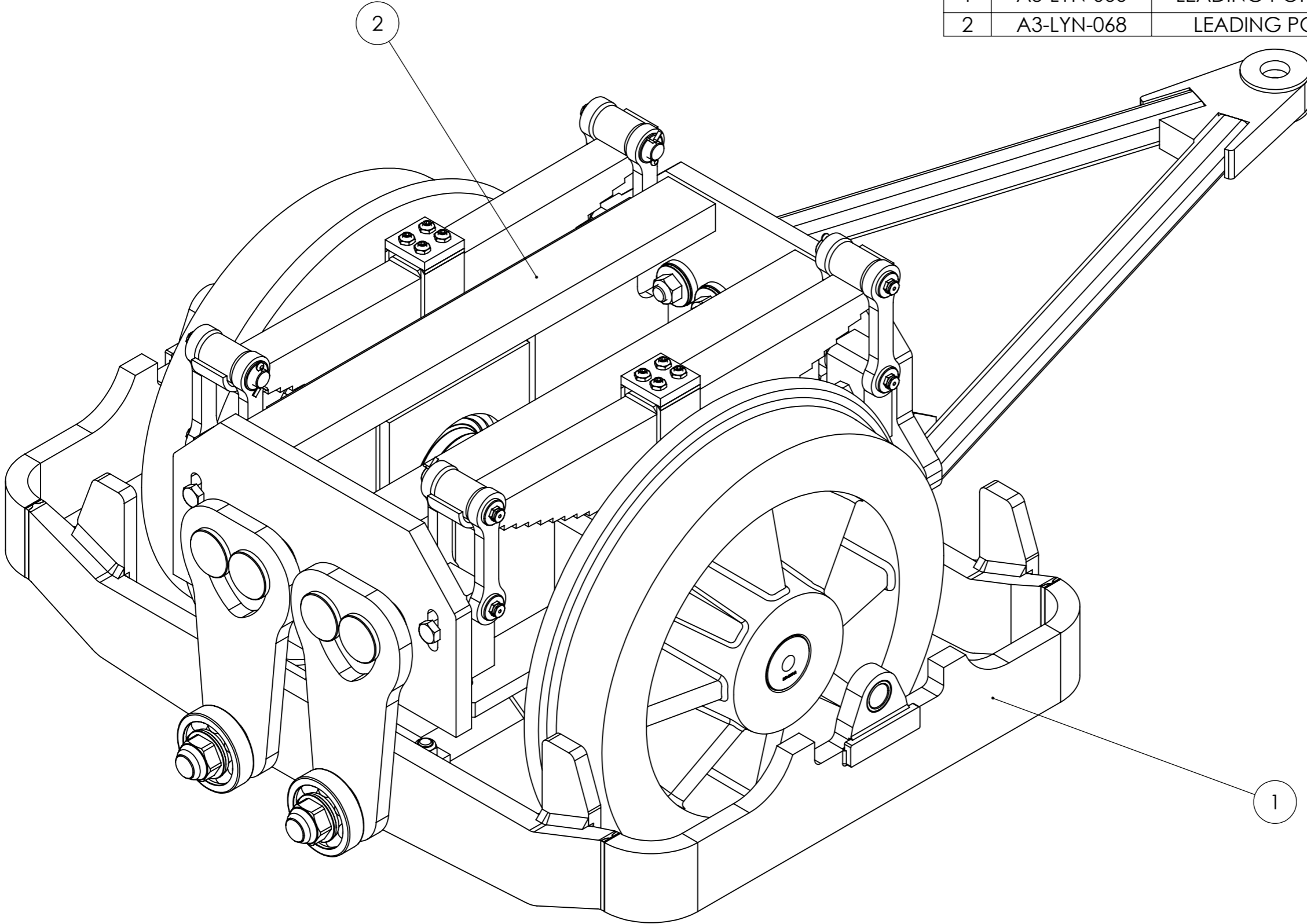


ITEM NO.	PART NUMBER	DESCRIPTION	QTY.
1	A3-LYN-066	LEADING PONY TRUCK CHASSIS ASSEMBLY	1
2	A3-LYN-068	LEADING PONY TRUCK ROCKING ASSY	1



WEIGHT = 715.32 kg

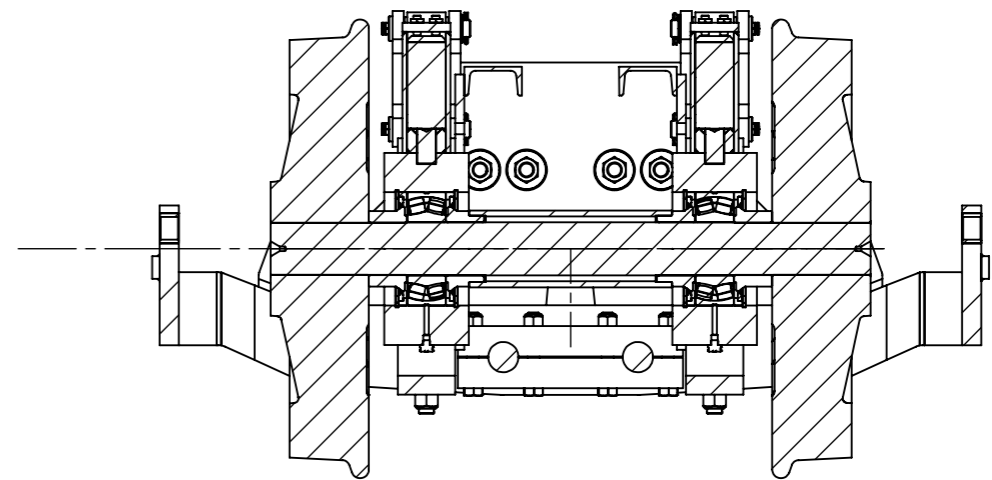
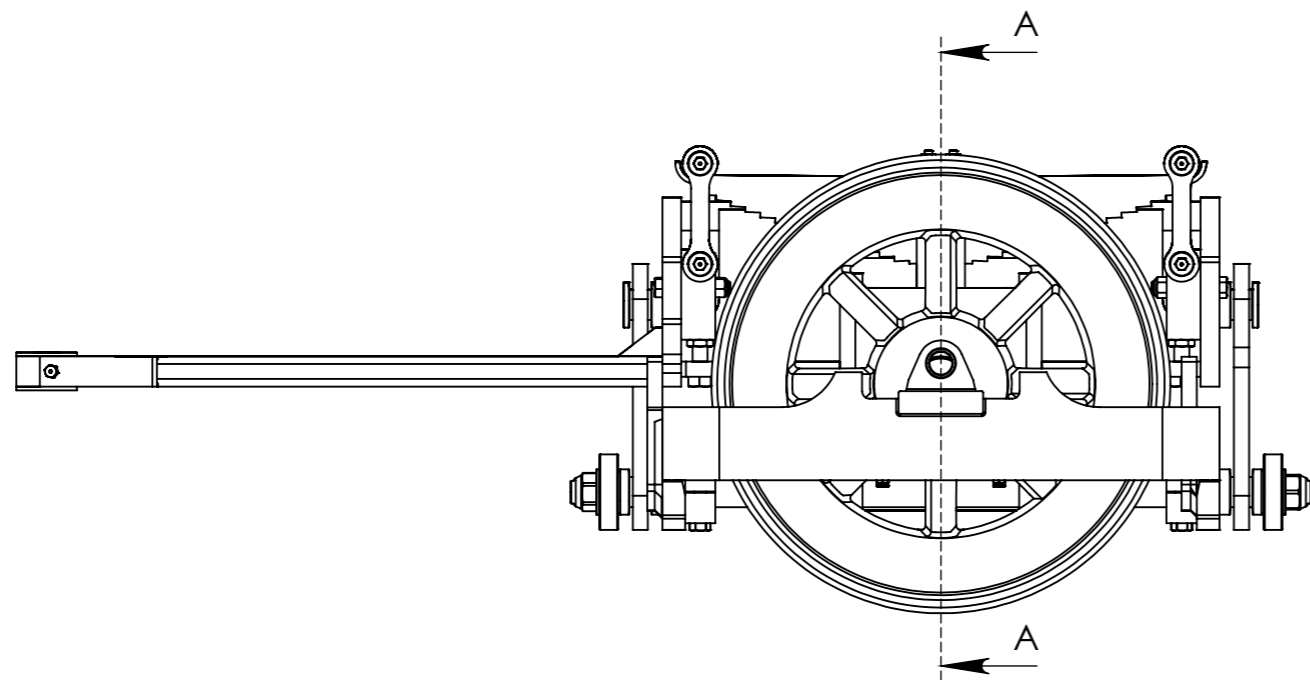
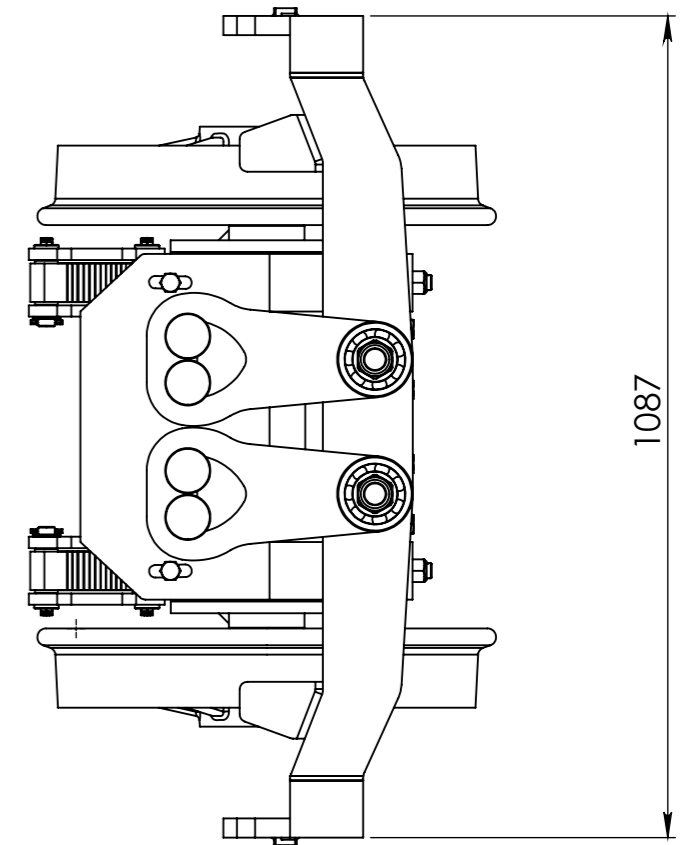
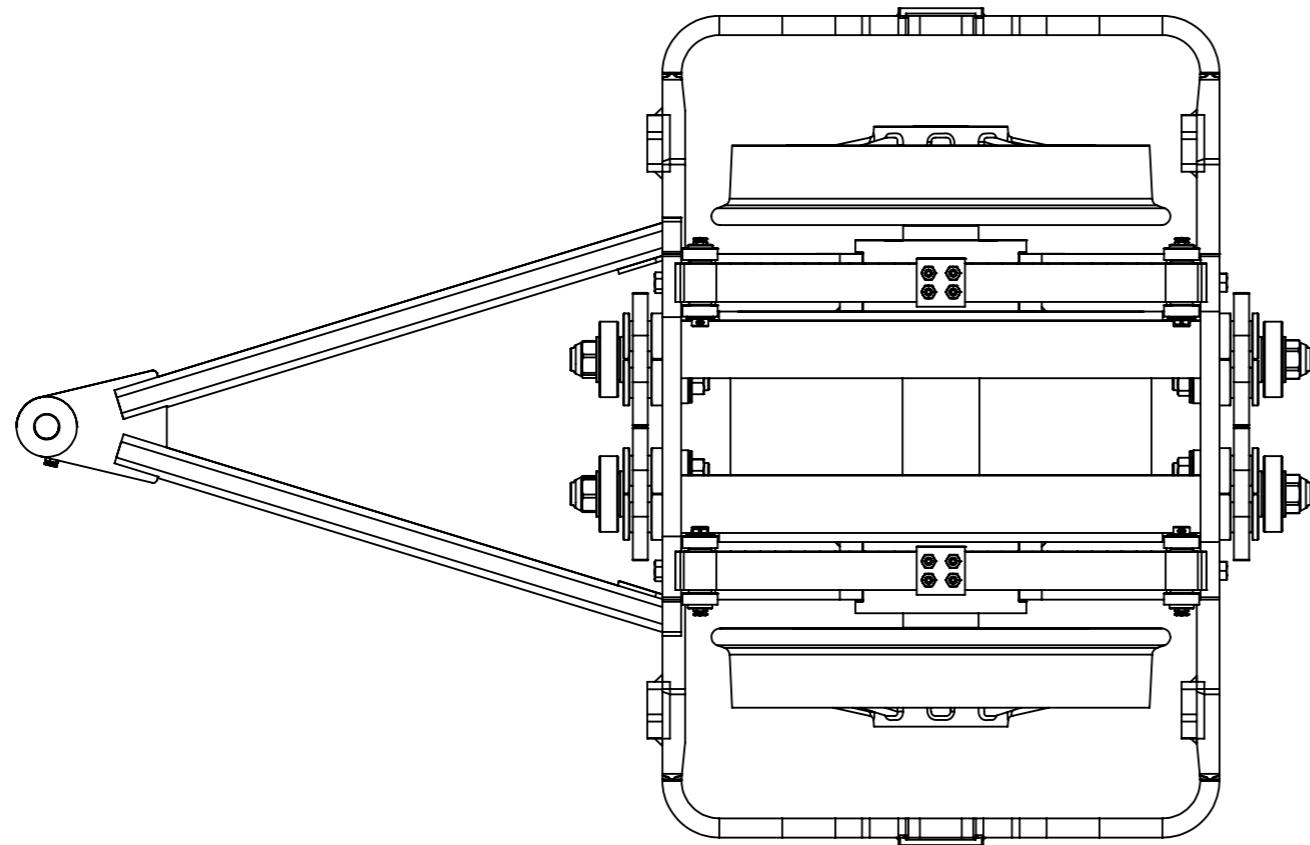
**The Lynton & Barnstaple Railway**  
**The 'Lyn' Project**  
 Technical queries to Ian on 01954 204338 or:-  
 ian.gaylor@steam-loco-design.co.uk  
 Drawing queries to Mike on 01954 780772 or:-  
 baldwin@machineconcepts.co.uk

All dimensions are in mm unless otherwise stated.  
 No dec pl : ± 0.5mm  
 1 dec pl : ± 0.2mm  
 2 dec pl : ± 0.1mm  
 3 dec pl : ± 0.05mm  
 angular : ± 0.2°  
**DO NOT SCALE**



Drg By. MRN	Chk'd By. CHKD BY	Approved - date	Model Name A3-LYN-052	Date. 05/12/2011	Scale 1:5
Material. SEE PARTS	Title. <b>LEADING PONY TRUCK ASSEMBLY</b>		Sheet number. A3 1 of 2		
Finish. SEE PARTS	Drg No. <b>A3-LYN-053</b>				

REV.	DESCRIPTION	DATE	APPROVED
A	initial issue	12/12/2014	
REVISIONS			



SECTION A-A

WEIGHT = 715.32 kg

**The Lynton & Barnstaple Railway**  
**The 'Lyn' Project**

Technical queries to Ian on 01954 204338 or:-  
 ian.gaylor@steam-loco-design.co.uk  
 Drawing queries to Mike on 01954 780772 or:-  
 baldwin@machineconcepts.co.uk

All dimensions are in mm  
 unless otherwise stated.  
 No dec pl : ± 0.5mm  
 1 dec pl : ± 0.2mm  
 2 dec pl : ± 0.1mm  
 3 dec pl : ± 0.05mm  
 angular : ± 0.2°  
**DO NOT SCALE**



Drg By. MRN	Chk'd By. CHKD BY	Approved - date	Model Name A3-LYN-052	Date. 05/12/2011	Scale 1:10
Material. SEE PARTS		Title. <b>LEADING PONY TRUCK ASSEMBLY</b>			
Finish. SEE PARTS		Drg No. <b>A3-LYN-053</b>		Sheet number. A3 2 of 2	